



DNH

HEAD OFFICE, NORWAY
DNH AS

Phone..... + 47 35 98 56 00
Fax..... + 47 35 98 56 10
E-mail..... dnh@dnh.no
Web-Site..... www.dnh.no

ENGLAND
DNH WW Ltd

Phone..... + 44 1908 275 000
Fax..... + 44 1908 275 100
E-mail..... dnh@dnh.co.uk

GERMANY
DNH GmbH

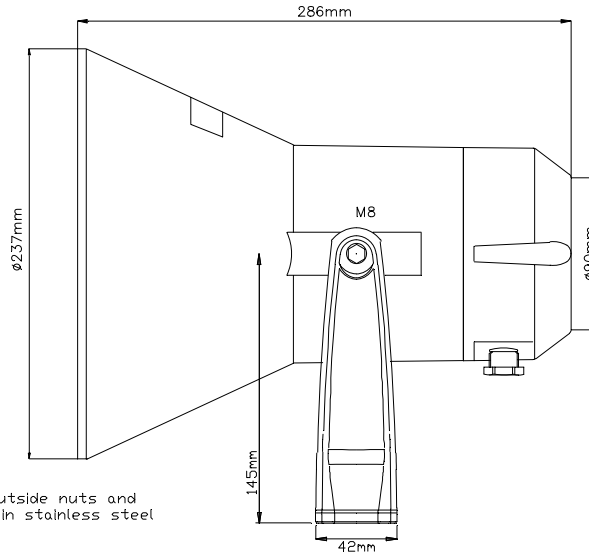
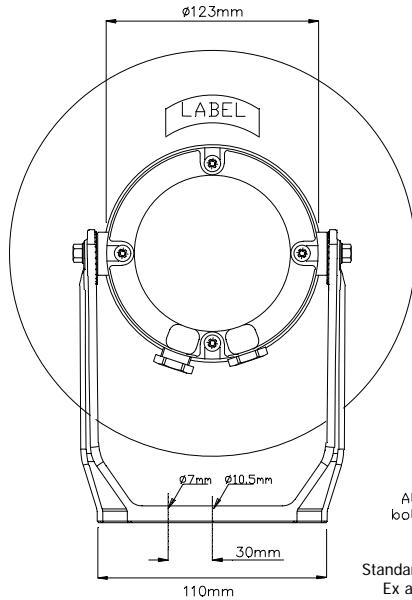
Phone... + 49 040 6569 30-0
Fax..... + 49 040 6569 30-30
E-mail..... dnh@dnh.de

USA
DNH Speakers Inc

Phone..... + 1 484 494 5790
Fax..... + 1 484 494 5793
E-mail..... dnh@dnhspeakers.com

HP-20EExIIN(T)

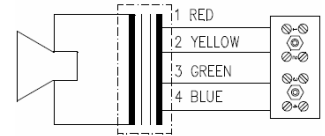
ISO 9001 CERTIFIED



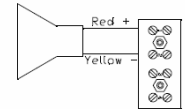
All outside nuts and bolts in stainless steel

Standard model delivered with two M20 Ex approved plastic blinding plugs

CIRCUIT DIAGRAM



Low impedance



Primary nominal tapings	
1 : 2	20 W
2 : 3	10 W
3 : 4	5,0 W
1 : 3	4,0 W
2 : 4	2,0 W
1 : 4	1,0 W

Certified by / Certification code / Number: NEMKO / Ex nA II T3 / 03ATEX3568

Sound pressure levels at 1W/1m

SPL vs Freq



Specifications

Material / Color	Anti-static PA / Black
Mounting	Bracket
Termination	Screw terminal
Weight w/transformer	2,3 kg
IP-rating	67
Max. / min. amb. temp	50°C / -50°C
Rated / max. power	20 W / 20 W
SPL 1W/1m	110 dB
SPL rated power	122 dB
Effective freq. range	310 – 8000 Hz
Dispersion (-6dB) 1kHz / 4kHz	115° / 25°
Directivity factor, Q 1kHz / 4kHz	3,4 / 14,1
Options	Impedances, colors, labels

Installation, Operation and Maintenance Procedures

- Remove lid by four screws, lead cable through cable gland and connect to screw terminal.
- Tighten cable gland and screw lid back in to place by four screw with a torque of 2Nm to ensure IP-grade.
- Fasten bracket with one to three screws.
- To change the position of the loudspeaker, please adjust the bracket (by loosening / tightening the screws) as required.
- HP-20EExIIN(T) is designed for Zone 2 environment.
- Use only certified/specified cable glands and blanking plugs, reflecting the same IP rating and temperature range as the loudspeaker.
- Standard model delivered with two M20 Ex approved plastic blinding plugs.
- For optimum performance, always use the correct voltage / power and operate within the frequency limits as stated.
- Do not open loudspeaker when energized.
- This loudspeaker is supplied with a two years warranty against defective workmanship.

DNH reserves the right to alter specifications without notice

