



DNH

HEAD OFFICE, NORWAY
DNH AS

Phone..... + 47 35 98 56 00
Fax..... + 47 35 98 56 10
E-mail..... dnh@dnh.no
Web-Site..... www.dnh.no

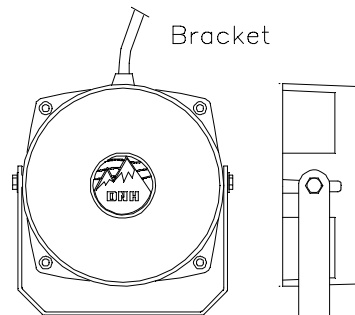
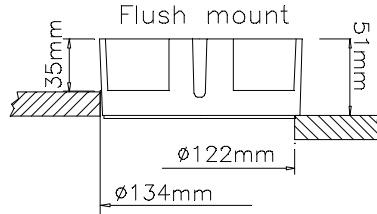
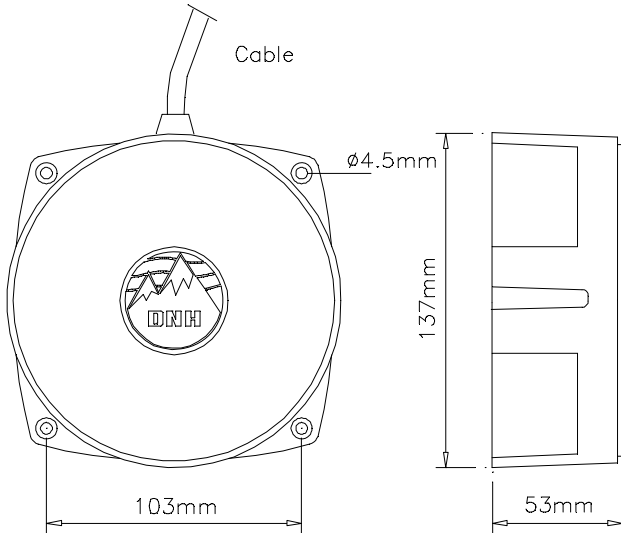
ENGLAND
DNH WW Ltd
Phone..... + 44 1908 275 000
Fax..... + 44 1908 275 100
E-mail..... dnh@dnh.co.uk

GERMANY
DNH GmbH
Phone... + 49 040 6569 30-0
Fax..... + 49 040 6569 30-30
E-mail..... dnh@dnh.de

USA
DNH Speakers Inc
Phone..... + 1 484 494 5790
Fax..... + 1 484 494 5793
E-mail..... dnh@dnhspeakers.com

CM-6EExmN(T)

ISO 9001 CERTIFIED



100V transformer
Primary
nominal tapings

1 : 2	6,0 W
1 : 3	3,0 W
1 : 4	1,5 W

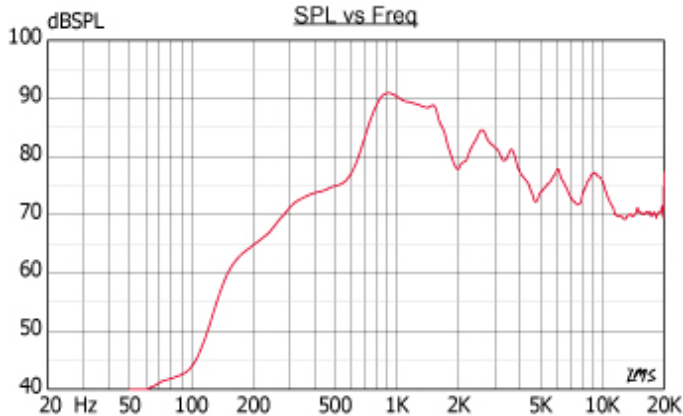
The numbers are displayed on the wires.

Certified by/ Certification code / Number: NEMKO / EEx m II T6 / 03ATEX202X



II 2 GD

Sound pressure levels at 1W/1m Sine wave



Specifications

Material / Color	Anti-static polyamide / Black
Mounting	4 screws or bracket
Termination	Radox Cable, 1.5 m
Weight w/transformer	2.5 kg
IP-rating	67
Max. / min. amb. temp	40°C / -20°C
Rated / max. power	6 W
SPL 1W/1m	85 dB
SPL rated power	93 dB
Effective freq. range	300 – 20000 Hz
Dispersion (-6dB) 1kHz / 4kHz	180° / 130°
Directivity factor, Q(2kHz)	
Options	Impedance, labels

Installation, Operation and Maintenance Procedures

- Use four screws for mounting on wall, alternative flush mounting.
- When mounting with bracket, use the slit on each side to connect the bracket to the loudspeaker.
- For optimum performance, always use the correct voltage / power and operate within the frequency limits as stated.
- CM-6EExmN(T) is designed for Ex-clean room applications.
- Special conditions for safe use:** Resistance to impact: 4 Joule due to low risk of mechanical danger.
- The equipment is delivered with the supply cable permanently connected to it. The free end needs to be appropriately protected.
- This loudspeaker is supplied with a two years warranty against defective materials and workmanship.

DNH reserves the right to alter specifications without notice

