



DNH

HEAD OFFICE, NORWAY
DNH AS

Phone..... + 47 35 98 56 00
Fax..... + 47 35 98 56 10
E-mail..... dnh@dnh.no
Web-Site..... www.dnh.no

ENGLAND

DNH WW Ltd

Phone..... + 44 1908 275 000
Fax..... + 44 1908 275 100
E-mail..... dnh@dnh.co.uk

GERMANY

DNH GmbH

Phone... + 49 040 6569 30-0
Fax..... + 49 040 6569 30-30
E-mail..... dnh@dnh.de

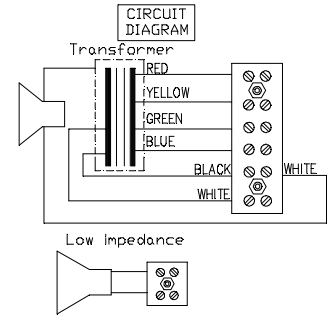
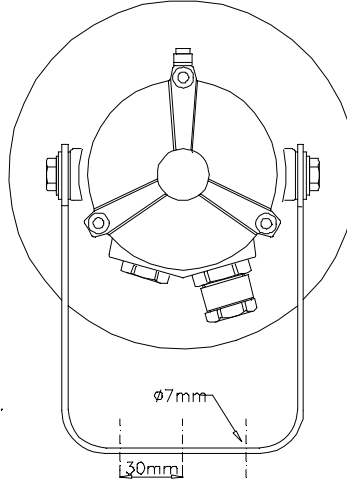
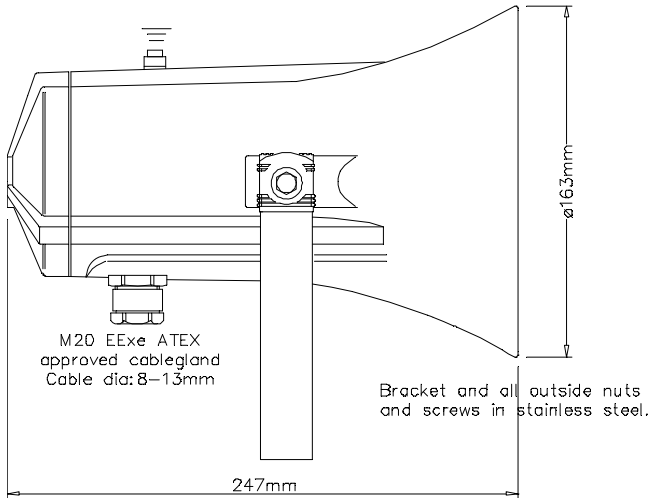
USA

DNH Speakers Inc

Phone..... + 1 484 494 5790
Fax..... + 1 484 494 5793
E-mail..... dnh@dnhspeakers.com

HS-15EExmN(T)

ISO 9001 CERTIFIED



Primary nominal
tappings 100V
From loudspeaker
White to black

Red	Yellow	15,0 W
Red	Green	10,0 W
Red	Blue	7,5 W

White to white

Red	Yellow	4,0 W
Red	Green	2,6 W
Red	Blue	2,0 W

Certified by / Certification code / Number: NEMKO / EEx de IIB+H₂ T5 / 98 ATEX 201
Certified by / Certification code / Number: NEMKO / EEx de IIC T5 / 98 ATEX 201

Ex II 2 GD

Sound pressure levels at 1W/1m IIB version

SPL vs Freq



Specifications	IIB	IIC
Material / Color	Aluminum alloy / RAL7035	
Mounting	Bracket	
Termination	e-chamber, screw terminals	
Weight w/transformer	2,8 kg	
IP-rating (UL equivalent)	67	
Max. / min. amb. temp	60°C / -50°C	
Rated / max. power	15 W / 15 W	
SPL 1W/1m	105 dB	101 dB
SPL rated power	116 dB	113 dB
Effective freq. range	410 – 7000 Hz	420-7000
Dispersion (-6dB) 1kHz / 4kHz	140° / 40°	105° / 35°
Directivity factor, Q		
Options	Impedances, colors, labels	

Installation, Operation and Maintenance Procedures

- Unscrew lid, lead cable through cable gland and connect to terminal according required power.
- If the Ex-loudspeaker is to be earthed, it must be done correctly using the specially marked screws.
- Tighten cable gland and screw lid back on with 2-3 Nm to assure IP grade.
- Fasten the bracket with 3 screws and ensure to use all washers in the intended position. (To isolate the main body from the bracket).
- To change the position of the loudspeaker, please adjust the bracket (by loosening / tightening the screws) as required.
- Use only certified/specified cable glands and blanking plugs.
- The loudspeaker should be checked on a regular basis to avoid any build up of debris.
- The aluminum surface of the loudspeaker should be regularly treated with paint at the same interval as with other similar outdoor equipment.
- For optimum performance, always use the correct voltage / power and operate within the frequency limits as stated.
- Do not open loudspeaker when energized.
- This loudspeaker is supplied with a 2 year warranty against defective workmanship.

DNH reserves the right to alter specifications without notice

