

dFT3 Explosion-proof analogue telephone

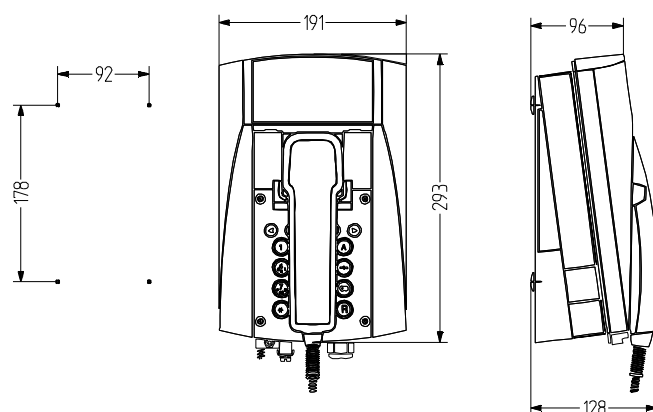
- Explosion-proof analogue telephone
- Certified for gas and dust hazardous areas – zone 2, 22
- Degree of protection IP 65
- Impact-resistant polycarbonate housing
- For areas with temporary explosive atmospheres
- Available with armoured or spiral cord as an option
- Models with or without display
- Housing colours yellow, red, grey and black
- Can be used as a desk-mounted or wall-mounted telephone

II 3 G Ex nAnL IIC T5

II 3 D Ex tD A22 IP65 T80 °C

-20 °C ≤ Ta ≤ +55 °C

Zone 2, 22



TECHNICAL DATA

Dialling method	MFV nach CCITTQ 23
Tone ringing volume	95 dB
Bell ringing frequency	programmable: 16–68 Hz
Pulse/pause ratio	programmable: 1.5:1 60/40 ms 2:1 66.7/33.3 ms
Flash time	~ 80 ms set as default 1 ms–999 ms can be programmed
Net access, acoustics	TBR 21, TBR 38
Incoming telephone line	TCP/La, TCP/Lb
Second bell	w1, w
Electrical safety	EN 60950
Transportation/storage temperature	-25 °C / +70 °C
Display temperature	-10 °C / +55 °C
Housing	Polycarbonate black, black/red, black/grey or black/yellow

Type of mounting	vertical wall mounting or Table mounting
Cable entry	1× M20 × 1.5 cable gland, 1× M20 × 1.5 blind plug, 2× M12 × 1.5 blind plugs
Connection technology	single wire or multiple wires up to 2.5 mm ²
Operating temperature	-20 °C / +55 °C
Degree of protection	IP65
Approval	BVS 09 ATEX E061
Technology	analogue
Supply voltage	24–66 V DC
Weight	2,3 kg
Display	available with and without
Mouthpiece	Electret microphone
Receiver	Dynamic receiver with magnetic field generator
Stabiliser bracket	as accessory



dFT3

ORDER DATA

Cord	Display	Housing colour	Order number
Coiled cord	with display	black/yellow	410 400 100
		black	410 400 000
		black/grey	410 400 300
		black/red	410 400 200
	without display	black/yellow	410 410 100
		black	410 410 000
		black/grey	410 410 300
		black/red	410 410 200
Armoured cord	with display	black/yellow	410 420 100
		black	410 420 000
		black/grey	410 420 300
		black/red	410 420 200
	without display	black/yellow	410 430 100
		black	410 430 000
		black/grey	410 430 300
		black/red	410 430 200



AS1



VS1



mTCR



TH1



TH2

ACCESSORIES

Type	Type of accessory	Colour	Housing material	Weight	Order number
AS1	Explosion-proof audible telephone call signalling sounder			500 g	410 100 004
VS1	Explosion-proof visual-audible signalling sounder	black (RAL 9005)orange		1,42 kg	410 101 005
		black (RAL 9005)red		1,42 kg	410 102 005
		black (RAL 9005)clear		1,42 kg	410 104 005
		black (RAL 9005)blue		1,42 kg	410 105 005
		black (RAL 9005)green		1,42 kg	410 106 005
mTCR	Explosion-proof telephone connecting relay			1,1 kg	410 100 100
TH1	Telephone sound protection hood	yellow (RAL 1023)	PVC - plastic (UV and weather-resistant)	30 kg	410 100 012
			glass-fibre-reinforced plastic (GFRP)	40 kg	410 100 008
			Console (sheet steel, powder-coated)	17 kg	410 100 011
			Metal	35 kg	410 100 006
		red (RAL 3020)	PVC - plastic (UV and weather-resistant)	30 kg	410 100 014
			glass-fibre-reinforced plastic (GFRP)	40 kg	410 100 015
			Metal	35 kg	410 100 009
			PVC - plastic (UV and weather-resistant)	30 kg	410 100 013
		orange (RAL 2000)	glass-fibre-reinforced plastic (GFRP)	40 kg	410 100 007
			PVC - plastic (UV and weather-resistant)	30 kg	410 100 013
			glass-fibre-reinforced plastic (GFRP)	40 kg	410 100 007
			Stainless steel	40 kg	410 100 010
TH2	Telephone sound protection hood	yellow	Stainless steel	3,5 g	410 100 020
			PVC - plastic (UV and weather-resistant)	3,5 g	410 100 030
STB	Stabiliser bracket				410 400 900