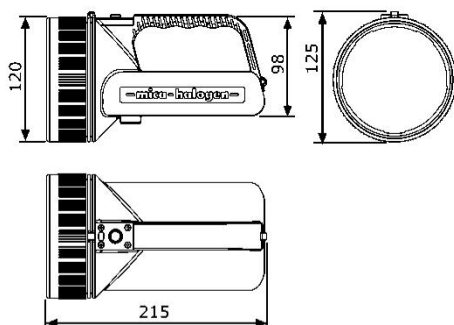




DATA SHEET

IL-80 ATEX LED / IL-80 ATEX LED EM

MODEL	IL-80 ATEX LED
Product description	IL-80 ATEX LED: Rechargeable safety hand lamp IL-80 ATEX LED EM: Rechargeable emergency lamp
Certification	VTT 12 ATEX 004X Issue 2 II 2 G Ex e ib op is IIC T4 Gb II 2 D Ex tb IIIC T135°C Db
DNV certification	E-11961
Area of operation	Gas zones 1 and 2 Dust zones 21 and 22
Temperature classification	Gas: T4 Dust: 135°C
Operating temperature	-20°C ... +40°C
Light source	1 high luminous MICA L200EX LED, Px13,5 socket Lifetime: 20 000h
Light output	Full power Low power 80 lm 40 lm
Operating time	Full power Low power 10.30 hours 21 hours
Beam type	Spot beam with fringe
Lens	Tempered glass 108 x 5 mm
Enclosure	Dissipative (antistatic) polypropylene, impact resistant
Ingress protection	IP 67
Power source	6V rechargeable NiMH battery
Weight with battery	1,1 kg
Dimensions	Approx. 215 mm (L) x 120 mm (W) x 125 mm (H)
Charging time	5,5 h
Other features	Deep discharge prevention Low battery warning before battery runs out Emergency function in EM model Shoulder strap
Chargers	MICA ILC4-VAC Single mains charger (85..265VAC) MICA ILC4 single vehicle charger (12..24VDC) MICA CR-C3 Multi charger for 3 lamps (100..240VAC) MICA CR-C5 Multi charger for 5 lamps (100..240VAC)
Accessories	MICA IL-holder for up to 8 lamps



Made in Finland by ATEXOR Oy

18/02/2014

Tel: +358 207 343250, E-mail: info@atexor.com www.atexor.com

ATEXOR Oy prepared this information herein in good faith but makes no representation as to its comprehensiveness or accuracy. ATEXOR Oy reserves the right to make changes to specifications and product descriptions at any time without notice. Ask for more technical data from our sales support.