

AS1 Explosion-proof audible telephone call signalling sounder

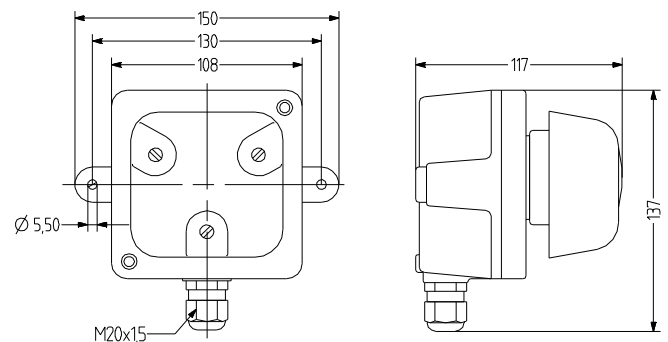
- Several tones/intermittent tone frequencies can be selected
- Die-cast aluminium housing
- High degree of protection IP 66
- Certified for zone 1 and 2
- Power supply via telephone call voltage
- Works independently even during power failures
- For use in explosive gas atmospheres in loud ambient conditions, to make an incoming telephone call more noticeable

II 2 G Ex e ib mb IIC T6
Zone 1, 2



TECHNICAL DATA

audible signal transmitter	Loudspeaker
Tone ringing volume	90 dB
Input impedance	bei 25 HZ $Z \geq 8 \Omega$ bei 50 HZ $Z \geq 4 \Omega$
Superimposed supply voltage	0 V DC - 63 V DC
Tone sequence frequency	5 to 20 Hz in 4 settings, can be adjusted with DIP switch
Equipotential bonding	Connection inside housing
Current	≤ 3 A
Housing	Die-cast aluminium, polycarbonate upper part black (RAL 9005)
Type of mounting	Wall mounting or Ceiling mounting
Cable entry	1 x M20x1,5; 1 x M12x1,5
Connection technology	0.75-1.5 mm ² /AWG 14, single or fine wire
Tone	Wobble tone, One tone, Two tones or Three tones Can be adjusted with DIP switch
Operating temperature	-20 °C / +40 °C
Degree of protection	IP66
Approval	BVS 03 ATEX E430
Ringing alternating current	32 V AC - 75 V AC
Insulation class	I
Weight	500 g



AS1

ORDER DATA

Type	Volume	Order number
AS1	90 db	410 100 004

