



**PENNBARRY™**

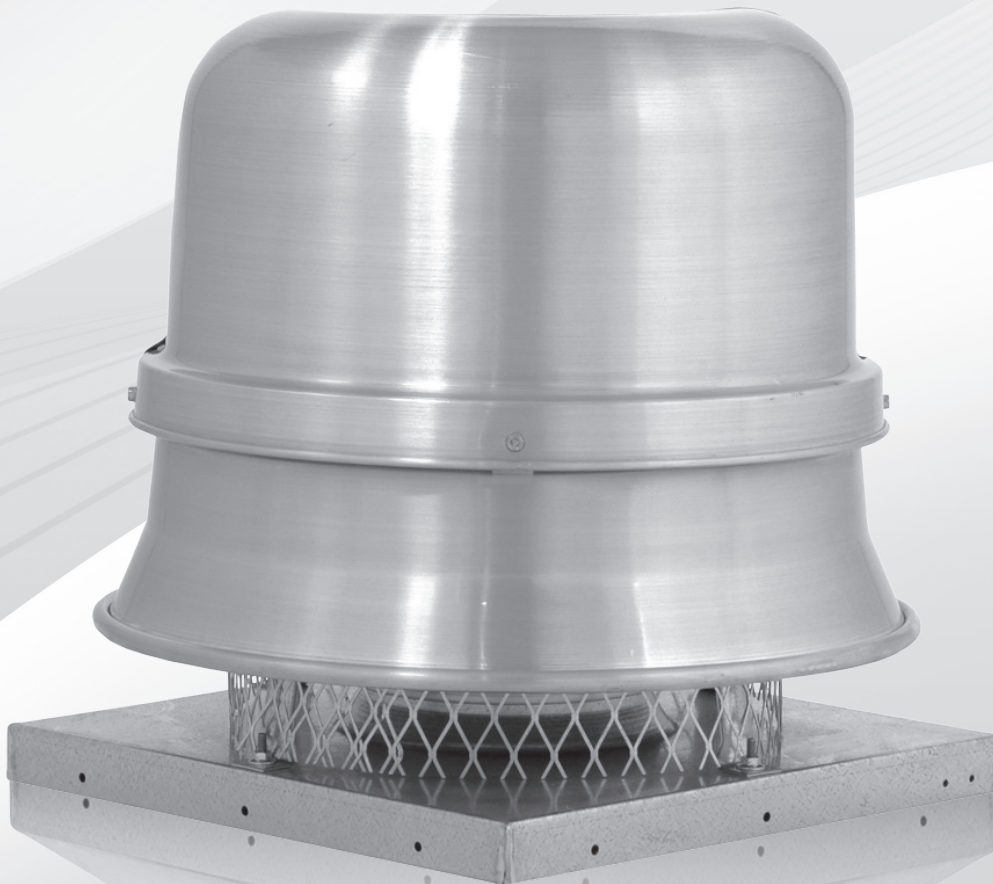
*Moving Your Way*

**DOMEX**

Centrifugal Roof Exhausters

**TABLE OF CONTENTS**

<b>Introduction, Certifications &amp; Listings</b>	<b>3</b>
<b>Features &amp; Benefits</b>	<b>4</b>
<b>Options &amp; Accessories</b>	<b>5</b>
<b>Motor Availability</b>	<b>7</b>
<b>Direct Drive Dimensional &amp; Performance Data</b>	<b>10</b>
<b>Belt Drive Dimensional &amp; Performance Data</b>	<b>13</b>
<b>Engineering Specifications</b>	<b>28</b>



**BULLETIN DX14**



Belt Drive  
Domex



Direct Drive  
Domex



## INTRODUCTION

### Domex Series of Centrifugal Fans

Domex fans are ideal for general purpose exhaust applications including: bathrooms, garages, general kitchen areas, offices, churches, dormitories, factories, large warehouses and other relatively clean air applications.

They feature a weather-resistant, seamless spun aluminum housing which works in conjunction with a patented wheel design and deeply spun inlets to provide smooth quiet air flow through the ventilator. The centrifugal wheels are aluminum, nonoverloading, backward inclined, robotically welded, and dynamically balanced. The optional high wind construction makes Domex fans particularly suited for high wind hurricane zones.

### Domex Direct Drive Series

**Model: DX (V/S/R/Q/Q1/Q2)**

- Static pressure up to 1.25 in. wg.
- Flow capacity up to 4,561 CFM.
- High wind construction (-HW) option available.

### Domex Standard Duty Belt Drive Series

**Model: DX (B)**

- Static pressure up to 1.5 in. wg.
- Flow capacity up to 19,442 CFM
- High wind construction (-HW) option available.

### Domex High Capacity Belt Drive Series

**Model: KB, JB, MB**

- Static pressure up to 1.5 in. wg.
- Flow capacity up to 46,640 CFM

## CERTIFICATIONS & LISTINGS



### Domex Direct & Belt Drive Fans

PennBarry certifies that the Domex direct drive and belt drive models shown herein are licensed to bear the AMCA seal. The ratings shown are based on tests and procedures performed in accordance with AMCA publication 211 and AMCA publication 311 and comply with the requirements of the AMCA Certified Ratings Program.



### Domex High Capacity Belt Drive Fans

PennBarry certifies that the Domex high capacity models shown on pages 25 - 27 are licensed to bear the AMCA seal. The ratings shown are based on tests and procedures performed in accordance with AMCA publication 211 and comply with the requirements of the AMCA Certified Ratings Program.



### cUL Certification

Domex fans carry the UL label, UL 705, (ZACT), File #E28413.

### High Velocity Hurricane Zone (HVHZ)

Miami-Dade NOA # 14-0311.03  
Florida Product Approval #12339  
Texas Department of Insurance #RV-48

## FEATURES & BENEFITS

### Motor Selection

Both direct drive and belt drive models are available with a wide range of voltages and enclosures (see Motor Selection for a complete listing). Standard belt drive Open Drip Proof (ODP) ball bearing motors are selected using a conservative portion of the NEMA service factor. Standard direct drive ODP motors have Class B insulation and internal thermal overload protection. Each size is carefully engineered to match the motor to the wheel capacity.

### Internal Wiring

All direct drive models with ODP motors feature a polarized disconnect plug between the motor and junction box. This provides a positive method of electric shut-off. Belt drive units with ODP motors are factory-wired between the motor and junction box. For either direct drive or belt drive models, an electric disconnect is available.

### Sound Performance

Units deliver outstanding air performance with minimal noise.

### Curb Caps (Base)

Curb caps for direct drive and standard duty belt drive models are available in galvanized steel (standard) or aluminum (optional). Curb caps for high capacity belt drive models are available only in aluminum. All curb caps have fully welded corners and are pre-punched to ensure both a leak-tight and easy installation.

### Forced Motor Cooling

Breather slots between the motor dome and discharge apron enable fresh air to be drawn into the motor housing during fan operation. This positive cooling promotes longer life for motor and drive components.

### Easy Maintenance Access

By removing the fasteners, the motor dome lifts off for complete access to all the drive train components.

### Structural Integrity

Durable housings of spun aluminum have a high strength-to-weight ratio and incorporate a rolled bead for additional strength. There are no welds to break or seams to leak. The heavy-gauge motor mounting platform provides positive rigidity between all components of the power train assembly.

### Solid Steel Shafts

Sized so the first critical speed is a minimum of 130% of maximum cataloged operating speed, shafts are precision ground and polished.

### Internal Bracing

Tri-Strut™ supports transfer the weight of the motor mounting platform directly to the curb mounting surface. The aluminum spun housing, therefore, is not used to support any weight.

### Self-Aligning Bearings

Heavy-duty bearings are sized for a minimum L50 life in excess of 200,000 hours of operation. 100% factory tested, they are designed for air handling applications.

### Drives and Belts

Pulleys are pre-set to the specified RPM. Cast iron variable pitch pulleys are adjustable, allowing for field balancing based on actual field conditions. All pulleys are sized for at least 150% of the driven horsepower.

### Vibration Isolators

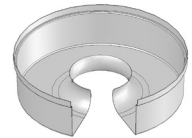
Multidirectional, rubber-in-shear vibration isolators mitigate residual vibration transmission from the unit to the building.

### Conduit

Both direct and belt drive units include a large 1" nominal conduit chase for easy installation of wiring from the motor dome to below the curb cap.

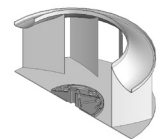
### Reverse Venturi

Reverse venturi reduces turbulence and improves distribution of the air as it enters the wheel inlet and is "captured" by the blades.



### Aluminum Wheels

Domex fans offer patented wheel designs. Carefully matched highly-tooled venturis enhance the performance of these backward inclined and non-overloading centrifugal wheels. Made of advanced alloys, the various wheel components provide superior strength and durability.



### Silent Wheel (Direct Drive)

- Blades' highly curved leading edge provide unsurpassed low sound numbers with excellent air performance.
- Back plate and inlet are stamped for consistency, plus dynamic balancing assure smooth, vibration-free operation.
- Riveted and/or welded construction ensure superior dependability over other wheel designs.

### Standard Duty, All Welded Wheel

(Standard Duty Belt Drive)

- Blades are curved for improved air performance while increasing their strength and rigidity.
- Back plate and inlet are stamped for consistency. They include a perimeter rim which enhances strength and improves balancing.
- Wheel assembly is robotically welded to provide extremely durable and consistent performance.
- Wheel is dynamically balanced. Balancing weights are mechanically attached to the inside of the rims of both the back plate and wheel inlet. This allows a precise placement of the weights anywhere within a full 360° range on two separate planes, without the possibility of detachment.

## OPTIONS & ACCESSORIES

### Finishes

Coatings such as Polyester Powder Coat, Epoxy Powder Coat, Phenolic Epoxy Powder Coat, and others are available. See the coatings brochure for details.

### Mounting Pedestal

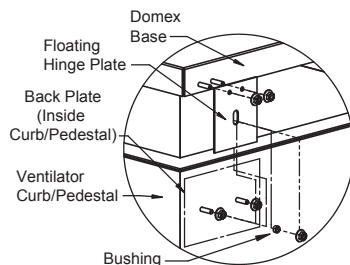
The 12" high mounting pedestal, available in aluminum or galvanized steel, incorporates a removable access panel for easy inspection and service of motor operated backdraft dampers. It provides solid ventilator support and a weather resistant seal that does not injure or disturb flashing.

### Hinged Sub-Base

Hinged sub-bases provide access to the curb well for damper service or to cleanout. Constructed with a rust proof hinge arrangement and low height (3 1/2") the assembly is easily manipulated and reduces the impact on overall installation height. This accessory is available for use with most all models for either factory built or existing roof curbs.

### Floating Hinge Kit

A floating hinge kit is available for field installation. This assembly connects the exhauster directly to the roof curb and provides the same level of access as the hinged sub-base.



### Aluminum Bird and Insect Screen

Bird screens are available for all direct and belt drive models. An aluminum insect screen with a smaller mesh than the standard bird screen is also available.

### Backdraft Dampers

Backdraft dampers are available for either gravity or motorized operation (motor kit optional). Dampers feature square galvanized steel frame, multi-leaf, roll formed aluminum blades with nylon bearings.

### Safety Disconnect Switch

Safety disconnect switches are available to allow positive electrical shut-off and safety. NEMA 1 switches are factory mounted when factory wiring is requested, others will be shipped loose. Wiring is only run from the motor to the junction box. (Factory wiring of explosion proof applications is not available.) A wide range of NEMA rated enclosures with disconnect switches are available for indoor, outdoor, and explosion proof installations. Disconnects are to be field wired by a licensed electrician.



### Firestat Switch

Firestat switch automatically disconnects the unit when the temperature of the air being exhausted exceeds a preset rating.

### Time-Delay Switch

(Selected direct drive models only.) The Air minder Model AM12 switch is a UL recognized and CSA certified time-delay relay that operates both the fan and room light to ventilate an area even after the occupants depart. In the "On" position, the Air minder turns the light and fan on immediately. In the "Off" position, the light goes off immediately and the fan is in operation for a period of time as preset from 1 to 60 minutes. Suitable only for 1/3 HP maximum at 120/1/60.



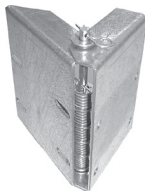
### Speed Controllers

The Lektrol™ controller allows adjustment in speed to a maximum of 50% reduction, which results in a very cost effective means for system balancing. The device can be located under the fan dome to prevent unauthorized tampering or on the wall for ease of operation by the building occupants. (Available on direct drive units with ODP motors and some select TE motors. See reference table under Motor Availability)



### Automatic Belt Tensioner

The factory mounted Automatic Belt Tensioner accessory eliminates the need for re-tensioning the belt after start-up. It is constructed from 10 gage galvanized steel and incorporates five torsion springs to automatically position the motor and maintain proper belt tension. Additional benefits include reduced belt and pulley wear and simplified belt replacement without tools. The Automatic Belt Tensioner is available for Domex models DX11B, DX12B, and DX14B with 1/4, 1/2, 3/4 and 1 HP ODP motors. It can also be used with 1.5 HP, 3-phase ODP motors.



### Internal Wiring

NEMA 3R wiring is available for both direct and belt drive models.

### Spark Resistant Construction

AMCA 'B' construction is available as standard construction on direct drive units and as an option on belt drive units. If required, an explosion proof motor and disconnect may be selected as options.

### Prefabricated Curb

A variety of sizes of prefabricated roof curbs are available. Galvanized steel unibeam curbs are the most popular. For a complete listing of all curb types and sizes available, please consult the latest PennBarry Curb brochure.



## OPTIONS & ACCESSORIES

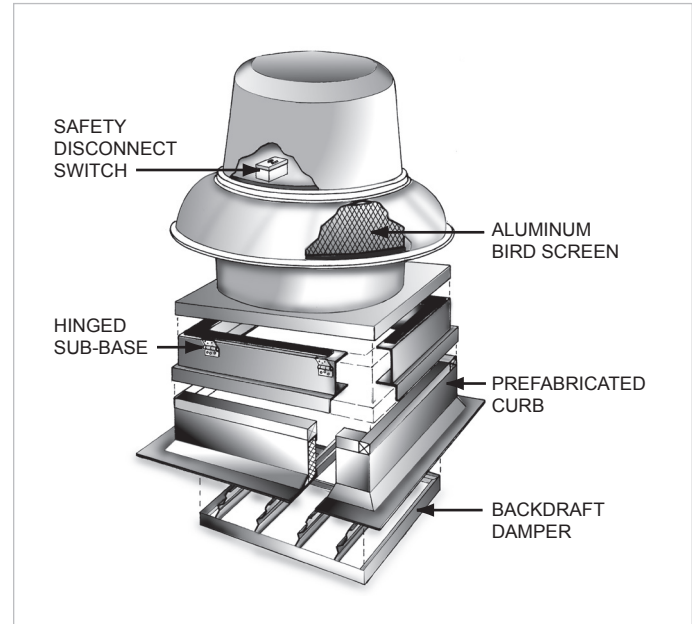
### High Wind Construction

High wind construction Domex fans are specifically designed for high velocity hurricane zones (HVHZ). The Domex models are designed to withstand 150 MPH winds in accordance with Miami-Dade and Florida Building Code standards. The units are 3rd party tested and certified through a 3rd party Professional Engineer (P.E.) to meet these strict standards. Installation details are provided and since there are no tie downs or external braces required for attaching the unit to the roof or curb this makes installation simple and easy. A wide range is offered to meet all of your ventilation needs which includes all belt and direct drive sizes 36 and under.

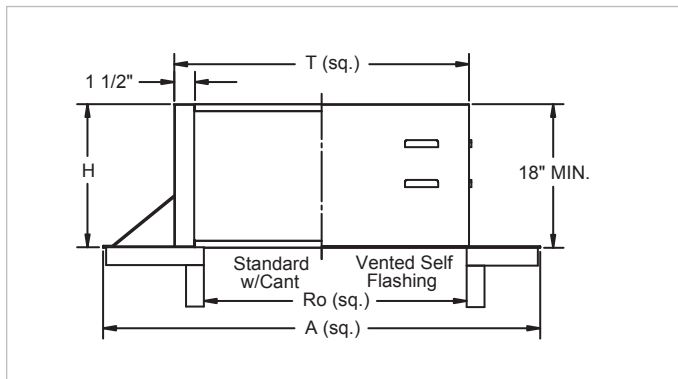
### Product Certifications:

- Miami-Dade NOA # 14-0311.03
- Florida Product Approval #12339
- Texas Department of Insurance #RV-48

### Domex Exploded View



### Domex Curb Dimensions



All dimensions in inches.  
 (1) Standard heights "H" are 8", 12", and 18" including wood nailer.  
 (2) "T" dimension of curb is 1 1/2" less than the dimension of inside base of fan ("E").  
 (3) "Ro" refers to Roof Opening. (4) "E" dimension is inside base of fan.

Model	E <sup>(4)</sup> SQ	T <sup>(2)</sup> SQ	A SQ	Ro <sup>(3)</sup> SQ	Damper Size SQ	Galv. Steel Gauge
DX06R	18.5	17	25	9	8.75	18
DX08S/R	18.5	17	25	9	8.75	18
DX10S/R	18.5	17	25	11.5	11.25	18
DX11V/S/R/Q	18.5	17	25	11.5	11.25	18
DX13V/S/R/Q	18.5	17	25	11.5	11.25	18
DX16V/S/R/Q1/Q2	20.5	19	27	16	15.75	18
DX18V	28.5	27	35	20	19.75	18
DX06B/DX08B	18.5	17	25	11.5	11.25	18
DX11B	20.5	19	27	16	15.75	18
DX12B/DX14B	24.75	23.25	31.25	16	15.75	18
DX16B/DX18B	28.5	27	35	20	19.75	18
DX24B	33.5	32	40	25	24.75	18
DX27B/DX30B	36.5	35	43	28	27.75	18
DX36B	44.5	43	51	36	35.5	18
KB420	52.5	51	59	44	43.5	18
JB48	59	57.5	65.5	50	49.5	18
MB542	63.5	62	70	55	54.5	18

## MOTOR AVAILABILITY

### NEMA Motor

This chart summarizes the largest allowable NEMA frame sizes for motors used on belt drive models.

#### Largest Available NEMA Frame Size per Model

Model	Max. Frame Size
DX06B	42*
DX08B	42*
DX11B	56
DX12B	56
DX14B	56
DX16B	145T
DX18B	145T
DX24B	184T
DX27B/DX30B	184T
DX36B	213T
KB420	213T
JB48	215T
MB542	254T

\*Only available as 1/4 ODP, 115V. At PennBarry's option, large frame motors may be removed after testing and shipped separately. Contact the factory for special application motor availability.

### Fixed Speed Motor Control

Two-speed motors, used in conjunction with external switches or sensors (gas concentration, odor, temperature), are used to quickly adjust the airflow through the ventilator by changing from one fixed speed to another. Normally, 2-speed motors operate at 1800 and 1200 RPM (2-speed, 2-windings). However, 1800/900 RPM (2-speed, 1 winding) motors are available for 3-phase power only. A single operating voltage must be specified because dual-voltage versions are not available in a 2-speed motor.

### Variable Speed Motor Control

PennBarry offers Lek-Trol™ solid state controllers to reduce the high speed of most direct drive motors by as much as 50%. If variable speed is required, check the Lek-Trol™ availability table below to verify that controllers exist for the fan model selected. Remember, Lek-Trol™ controllers are currently only available for direct drive motors including all standard Open Drip Proof (ODP) 60 Hz motors. Not all totally enclosed motors are currently available with variable speed control. Inverter rated motors suitable for use with variable frequency drives can be supplied for belt drive models. Contact your local PennBarry representative for availability.

#### Available Lek-Trol™ Speed Controls

Model	60 Hz					50 Hz		
	ODP	Totally Enclosed				Totally Enclosed		
	115V	115V	200V	208V	230V	110V	220V	240V
DX06R	LT25	-	-	-	-	-	-	-
DX08S	-	-	-	-	-	-	-	-
DX08R	LT25	-	-	-	-	-	-	-
DX10S	-	-	-	-	-	-	-	-
DX10R	LT30	LT30	LT35	LT35	LT35	LT30	LT35	LT35
DX11V	-	-	-	-	-	-	-	-
DX11S	-	-	-	-	-	-	-	-
DX11R	LT30	-	-	-	-	-	-	-
DX11Q	LT50	-	-	-	-	-	-	-
DX13V	LT55	-	-	-	-	-	-	-
DX13S	LT30	-	-	-	-	-	-	-
DX13R	LT30	LT30	LT35	LT35	LT35	LT50	LT35	LT35
DX13Q	LT45	LT50	LT35	LT35	LT35	LT50	LT35	LT35
DX16V	LT55	-	-	-	-	-	-	-
DX16S	LT50	-	-	-	-	-	-	-
DX16R	LT50	-	-	-	-	-	-	-
DX16Q1	LT40	-	-	-	-	-	-	-
DX16Q2	LT75	-	-	-	-	-	-	-
DX18V	LT60	-	-	-	-	-	-	-



Belt Drive  
Domex Cutaway



Direct Drive  
Domex Cutaway

©PENNBARRY 2014

**MOTOR AVAILABILITY**



**Green Plus Electronically Commutated Motor**

The Green Plus (GP) option utilizes EC motors to provide significantly greater efficiency, flexibility, and controllability over standard direct drive permanent split capacitor (PSC) motors. Using the included potentiometer, the Green Plus motors can be turned down to as low as 80% the max operating speed while maintaining 90% efficiency through the operating range. Additionally, the Green Plus can accept 0-10V input to tie to building management systems, allowing for savings in not only direct fan energy consumption but reducing the exhaust of conditioned air during off peak hours as well. All Green Plus motors come in open enclosure for usage with 115-208/230V, single phase, 60 Hz applications.

Model	Size	Tap	ECM HP
DX	08	S	0.33
	08	R	0.33
	10	S	0.33
	10	R	0.33
	11	V	0.33
	11	S	0.33
	11	R	0.33
	11	Q	0.33
	13	V	0.33
	13	S	0.33
	13	R	0.33
	13	Q	0.33
	16	V	0.33
	16	S	0.50
	16	R	0.50
	16	Q1	0.50
16	Q2	0.75	
18	V	0.75	

**Belt Drive Motor Availability**

The chart below lists horsepower, voltages, and enclosure types. After selecting a model and horsepower that meets performance requirements, an engineer should verify that the desired voltage and enclosure are the same (or smaller) as the maximum NEMA motor frame shown for each model (see NEMA Motor Frame Size chart).

Model	1 Phase					200V, 230V, 460V OR 575V 3 Phase				
	ODP		Totally Enclosed	Explosion Proof	2 Speed 2 Winding	ODP	Totally Enclosed	Explosion Proof	2 Speed 2 Winding	2 Speed 2 Winding
	115V	230V	115V/230V							
1/4	48	48	48	48/56	48	48	48	48	56	-
1/3	48/56	48/56	56	56	56	56	56	56	56	-
1/2	48/56	48/56	56	56	56	56	56	56	143T	56
3/4	56	56	56	56	56	56	56	56	143T	56
1	56	56	56	56	56	56	56	56	143T	145T
1 1/2	56	56	145T	184T	-	56	56	56	145T	182T
2	145T	145T	182T	182T	-	56/145T	145T	145T	145T	182T
3	184T	184T	184T	215T	-	145T	182T	182T	184T	184T
5	-	-	-	-	-	184T	184T	184T	184T	215T
7 1/2	-	-	-	-	-	213T	213T	213T	-	215T
10	-	-	-	-	-	215T	215T	215T	-	256T
15	-	-	-	-	-	254T	254T	254T	-	284T

On horsepowers less than 1 1/2, motor frame sizes may change due to variations in voltage, special features and motor manufacturer. Motors shown are ball bearing, continuous duty and 1750 RPM or 1750/1140 RPM for two speed - two winding motors.



## MOTOR AVAILABILITY

### Direct Drive Motor Availability

The following chart lists the various motor options available for each of the direct drive fan models. Once a fan model is selected, this chart can be used to determine if a suitable motor is available. (If not, another selection may have to be made from the fan performance charts). Look under the nominal RPM heading to determine which fans have 2-speed and 3-speed motors.

Model	Nominal RPM				1 Phase									
	1050 V	1300 S	1550 R	1725 Q	115 Volts			200 - 240 Volts						
					Open Drip Proof	Totally Enclosed	Explosion Proof	Open Drip Proof	Totally Enclosed	50 hz	50 C Ambient	Explosion Proof (4)		
DX06R	-	-	x	-	yes	-	-	Use TE Motors	-	-	-	-	-	
DX08S/R	-	x	x	-	yes	yes (1)	-		yes (1)	yes (1)	yes (1)	-	-	
DX10S/R	-	x	x	-	yes	yes (1)	-		yes (1)	yes (1)	yes (1)	-	-	
DX11V/S/R	x	x	x	-	yes	yes (1)	-		yes (1)	yes (1)	yes (1)	-	-	
DX11Q	-	-	-	x	yes	yes	yes		yes	yes	-	yes (5)	-	
DX13V/S/R	x	x	x	-	yes	yes (1)	-		yes (1)	yes (1)	-	-	-	
DX13Q	-	-	-	x	yes	yes	yes		yes	yes	yes	yes (5)	-	
DX16V/S/R	x	x	x	-	yes	yes (1)	-		yes (1)	yes (1)	yes (1)	-	-	
DX16Q1	-	-	-	x (3)	yes	-	-		-	-	-	-	-	
DX16Q2	-	-	-	x	yes	yes	yes		yes	yes	yes	yes (5)	-	
DX18V	x	-	-	-	yes	-	-	-	-	-	-	-		

Model	Nominal RPM				3 Phase					
	1050 V	1300 S	1550 R	1725 Q	200 - 460 Volts (2)					
					Open Drip Proof	Totally Enclosed	50 hz	50 C Ambient	Explosion Proof (4)	
DX06R	-	-	x	-	Use TE Motors	-	-	-	-	-
DX08S/R	-	x	x	-		-	-	-	-	-
DX10S/R	-	x	x	-		-	-	-	-	-
DX11V/S/R	x	x	x	-		-	-	-	-	-
DX11Q	-	-	-	x		-	-	-	-	yes (6)
DX13V/S/R	x	x	x	-		-	-	-	-	-
DX13Q	-	-	-	x		yes	yes	yes	yes	yes (6)
DX16V/S/R	x	x	x	-		-	-	-	-	-
DX16Q1	-	-	-	x (3)		-	-	-	-	-
DX16Q2	-	-	-	x		-	-	-	-	yes (6)
DX18V	x	-	-	-	-	-	-	-	-	

- (1) High speed only.
- (2) 200 - 240, 380, 415, 460V.
- (3) Nominal 1650 RPM.
- (4) Cls. I, Grp. D, Div. I / Cls. II, Grp. F & G, Div. I., Not available with 50 Hz.
- (5) 208-230V only. Not available in 200V.
- (6) 230V and 460V only.

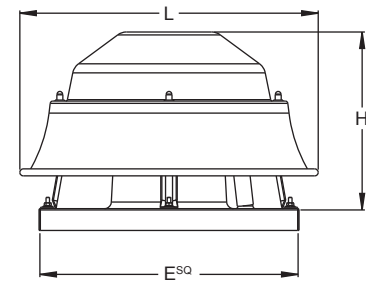
**DX06, DX08, DX10, & DX11 | DIRECT DRIVE**

**Performance Data Overview**

Domex direct drive models are available with single and multi-speed motors. Multi-speed motors are designated V (1050 RPM), S (1300 RPM), and R (1550 RPM). DX06R and DX18V are exceptions being single speed motors. Q, Q1, Q2 (1725/1760 RPM) are single speed motors. A single Domex fan may be suitable for several requirements by a simple wiring change. This feature provides flexibility for a variety of reasons, including energy savings, off-hours requirements, future expansion, or unexpected field variations. Domex direct drive models are available in seven sizes (6, 8, 10, 11, 13, 16 and 18). Capacities range from below 150 CFM to above 4500 CFM, with static pressures beyond 1 1/4".

By using Lek-Trol™ variable speed controllers, the high speed flow rate of most models can be reduced by as much as 50%. Do not use Lek-Trol™ on medium or low speed for multispeed models, unless a specific Lek-trol™ is shown to be available (see Lek-Trol™ Speed Controller Availability). When compared to belt drive models, Domex direct drive fans require less maintenance, have a simpler construction, cost less, and are lighter in weight. Performances in 50 Hz applications will be less than shown below; consult with local PennBarry representative.

Model	Material Gages			Dimensions				Est. Ship Wt.
	Alum. Base	Galv. Base	Hood/Apron	L (Dia.)	H	E*	Ro	
DX06R	0.064"	16 ga.	0.050"	18 7/8"	12 1/2"	18 1/2" x 18 1/2"	9 x 9	22 lbs
DX08S/R	0.064"	16 ga.	0.064"	20 1/2"	13 1/2"	18 1/2" x 18 1/2"	9 x 9	26 lbs
DX10S/R	0.064"	16 ga.	0.064"	20 1/2"	13 1/2"	18 1/2" x 18 1/2"	11 1/2" x 11 1/2"	29 lbs
DX11V/S/R	0.064"	16 ga.	0.064"	20 1/2"	13 1/2"	18 1/2" x 18 1/2"	11 1/2" x 11 1/2"	38 lbs
DX11Q	0.064"	16 ga.	0.064"	20 1/2"	13 1/2"	18 1/2" x 18 1/2"	11 1/2" x 11 1/2"	40 lbs



All dimensions are in inches. \*Outside dimension of curb should be 1/2" less than "E" dimension.

Model	Nominal			Tip Speed FPM	0.000" SP		0.125" SP		0.250" SP		0.375" SP		0.500" SP		0.625" SP		0.750" SP		0.875" SP		1.000" SP		1.250" SP	
	HP	Max Watts	RPM		CFM	Sones	CFM	Sones	CFM	Sones	CFM	Sones	CFM	Sones	CFM	Sones	CFM	Sones	CFM	Sones	CFM	Sones	CFM	Sones
DX06R	1/100	52	1550	2841	146	4.3	100	3.6	69	3.4	-	-	-	-	-	-	-	-	-	-	-	-	-	-
DX08S	1/50	44	1300	3361	237	1.5	161	2.2	114	3	69	3.8	-	-	-	-	-	-	-	-	-	-	-	-
DX08R	1/30	55	1550	4007	285	2.4	100	2.8	141	3.5	94	4.1	58	4.9	-	-	-	-	-	-	-	-	-	-
DX10S	1/25	82	1300	3361	385	3.9	316	3.5	257	4.8	207	5.1	168	5.2	129	5.6	82	6.1	-	-	-	-	-	-
DX10R	1/12 <sup>(1)</sup>	121	1550	4007	559	6.1	501	5.9	446	6.1	394	6.5	338	6.8	267	7	187	7.2	100	7.4	-	-	-	-
DX11V	1/25	111	1050	3058	388	1.8	223	2.2	148	3.1	112	3.7	80	4.5	49	5.3	-	-	-	-	-	-	-	-
DX11S	1/11	142	1300	3786	503	3.4	397	3.6	320	4.3	262	5	201	5.5	149	6	104	6.5	-	-	-	-	-	-
DX11R	1/6 <sup>(2)</sup>	201	1550	4514	736	6.7	659	6.4	577	6.6	502	6.9	432	7.6	356	7.9	274	7.9	188	7.9	100	7.9	-	-
DX11Q	1/5 <sup>(3)</sup>	268	1725	5024	997	10.2	921	9.7	850	9.5	768	9.5	685	9.4	598	9.2	511	9	409	8.7	294	8.9	100	8.9

- (1) TE motor is 1/6 Hp.
- (2) TE motor is 1/7 Hp.
- (3) EXP motor is 1/4 Hp.

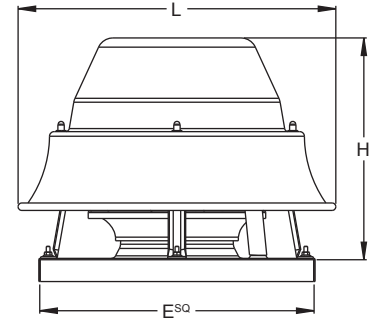
Performance shown is for installation Type A: Free Inlet, Free Outlet. Speed (RPM) shown is nominal. Performance is based on actual speed of test. The sound ratings shown are for loudness values in fan sones at 5'0" (1.5m) in a hemispherical free field per AMCA Standard 301. Values shown are for installation Type A: free inlet hemispherical sone levels. Performance ratings do not include the effects of appurtenances in the air stream.

Domex fans are only one component of a total system. As such, fan performance is directly affected by the system. It is critical that system designers determine the actual system loss to ensure that the actual flow is specified in the system design.

### DX13 | DIRECT DRIVE

Model	Material Gages			Dimensions				Est. Ship Wt.
	Alum. Base	Galv. Base	Hood/Apron	L (Dia.)	H	E*	Ro	
DX13V/S/R	0.064"	16 ga.	0.064"	21 7/16	14 ¾	18 ½ x 18 ½	11 ½ x 11 ½	36 lbs
DX13Q	0.064"	16 ga.	0.064"	21 7/16	14 ¾	18 ½ x 18 ½	11 ½ x 11 ½	43 lbs

All dimensions are in inches. \*Outside dimension of curb should be 1 ½" less than "E" dimension.



Model	Nominal			Tip Speed FPM	0.000" SP		0.125" SP		0.250" SP		0.375" SP		0.500" SP		0.625" SP		0.750" SP		0.875" SP		1.000" SP		1.250" SP	
	HP	Max Watts	RPM		CFM	Sones	CFM	Sones	CFM	Sones	CFM	Sones	CFM	Sones	CFM	Sones	CFM	Sones	CFM	Sones	CFM	Sones	CFM	Sones
DX13V	1/20	92	1050	3221	661	4.4	479	3.1	341	2.8	262	3.6	207	4.3	161	5.1	115	5.9	79	6.6	44	7.4	-	-
DX13S	1/12	120	1300	3988	869	8	749	6.4	632	5.3	510	5.4	418	6	349	6.4	290	6.7	226	7	158	7.4	-	-
DX13R	1/6	201	1550	4755	1054	10.5	988	9.9	917	9.2	839	8.9	736	8.5	651	8.2	579	7.9	510	7.9	428	8	191	8.5
DX13Q	1/4	314	1725	5292	1280	16	1226	15.3	1170	14.6	1112	14	1053	13.4	995	13	936	12.5	868	12	796	11.5	630	11

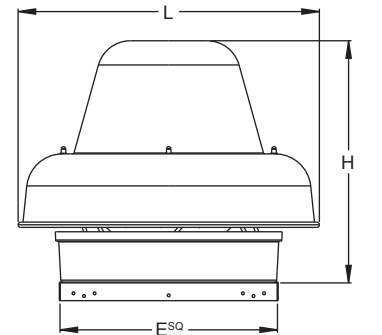
Performance shown is for installation Type A: Free Inlet, Free Outlet. Speed (RPM) shown is nominal. Performance is based on actual speed of test. The sound ratings shown are for loudness values in fan sones at 5'0" (1.5m) in a hemispherical free field per AMCA Standard 301. Values shown are for installation Type A: free inlet hemispherical sone levels. Performance ratings do not include the effects of appurtenances in the air stream.

Domex fans are only one component of a total system. As such, fan performance is directly affected by the system. It is critical that system designers determine the actual system loss to ensure that the actual flow is specified in the system design.

### DX16 & DX18 | DIRECT DRIVE

Model	Material Gages			Dimensions				Est. Ship Wt.
	Alum. Base	Galv. Base	Hood/Apron	L (Dia.)	H	E*	Ro	
DX16V/S/R, Q1 & Q2	0.064"	16 ga.	0.064"	28 ½	22 ½	20 ½ x 20 ½	16 x 16	56 lbs
DX18V	0.080"	14 ga.	0.064"	39	31	28 ½	20	78 lbs

All dimensions are in inches. \*Outside dimension of curb should be 1 ½" less than "E" dimension.



Model	Nominal			Tip Speed FPM	0.000" SP		0.125" SP		0.250" SP		0.375" SP		0.500" SP		0.625" SP		0.750" SP		0.875" SP		1.000" SP		1.250" SP	
	HP	Max Watts	RPM		CFM	Sones	CFM	Sones	CFM	Sones	CFM	Sones	CFM	Sones	CFM	Sones	CFM	Sones	CFM	Sones	CFM	Sones	CFM	Sones
DX16V	1/6	453	1050	3788	1738	9.9	1489	8	1256	6.6	1032	6.1	884	6.6	772	7.1	682	7.9	598	9.9	529	10.1	392	10.2
DX16S	1/3	510	1300	4690	2021	12	1822	10.6	1637	9.5	1428	8.7	1256	8.4	1094	8.5	943	9.3	850	10.2	775	11	606	12.3
DX16R	1/3 <sup>(1)</sup>	574	1550	5592	2346	13.8	2176	12.8	2014	12	1853	11.3	1685	10.7	1532	10.4	1384	10.1	1247	10	1115	10.4	881	12.4
DX16Q1	1/2	688	1650	5953	2701	16.9	2576	16.4	2465	15.9	2352	15.5	2228	15	2096	14.4	1966	14	1839	13.6	1700	13.5	1401	13.5
DX16Q2	3/4	866	1725	6223	3016	17.7	2921	17.1	2829	16.7	2747	16.3	2665	15.9	2575	15.5	2484	15	2371	14.6	2256	14.2	2005	13.3
DX18V	3/4	964	1075	6029	4561	21	4395	19.8	4230	19.1	4053	18.5	3865	17.9	3671	16.9	3454	16.4	3237	16.4	2995	16.4	2405	16.4

(1) TE motor is 1/2 Hp.

Performance shown is for installation Type A: Free Inlet, Free Outlet. Speed (RPM) shown is nominal. Performance is based on actual speed of test. The sound ratings shown are for loudness values in fan sones at 5'0" (1.5m) in a hemispherical free field per AMCA Standard 301. Values shown are for installation Type A: free inlet hemispherical sone levels. Performance ratings do not include the effects of appurtenances in the air stream.

Domex fans are only one component of a total system. As such, fan performance is directly affected by the system. It is critical that system designers determine the actual system loss to ensure that the actual flow is specified in the system design.

## DIRECT DRIVE PERFORMANCE DATA

### Domex Fan Curves

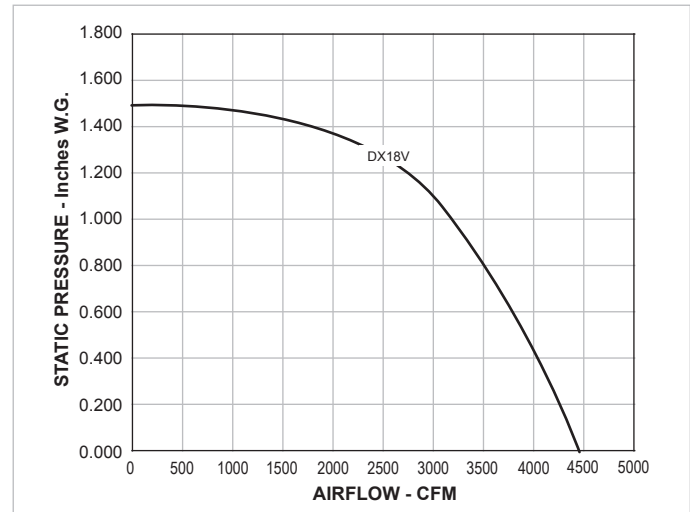
The fan curves illustrated here show the range of capacities available for direct drive units. Each graph shows the performance of several models at one particular nominal speed. Fan curves provide a quick method for selecting a fan unit based on design point requirements.

The direct drive performance chart on the previous page provides the tabular data (CFM and static pressure) used to plot the fan curves. In addition, the horsepower, tip speed and sones are tabulated. Since sound is normally an important factor in the selection of a fan, an engineer will usually want to select the "slowest" unit which meets CFM and SP requirements.

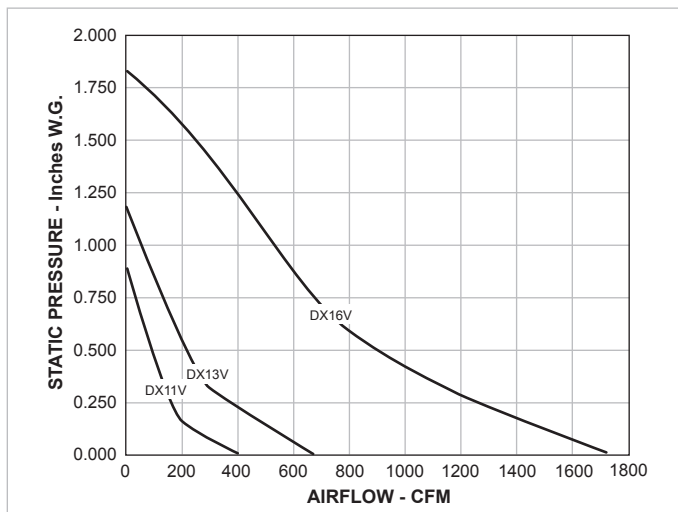
Please refer to the Motor Selection section to make sure the motor you select meets your electrical requirements.

*Domex fans are only one component of a total system. As such, fan performance is directly affected by the system. It is critical that system designers determine the actual system loss to ensure that the actual flow is specified in the system design.*

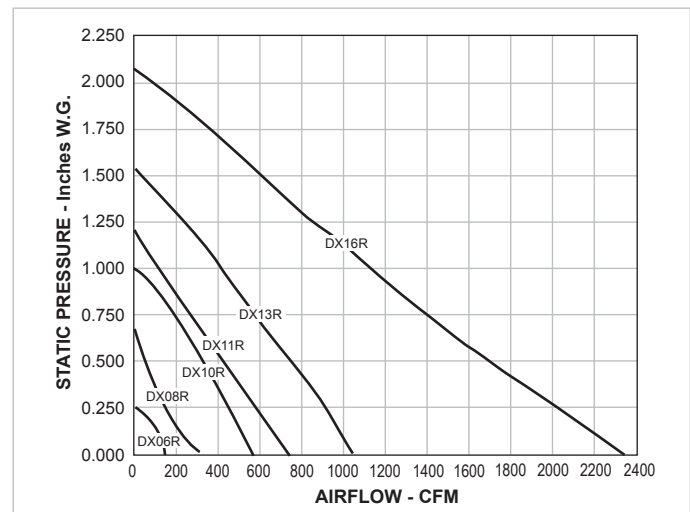
### Nominal 1075 RPM



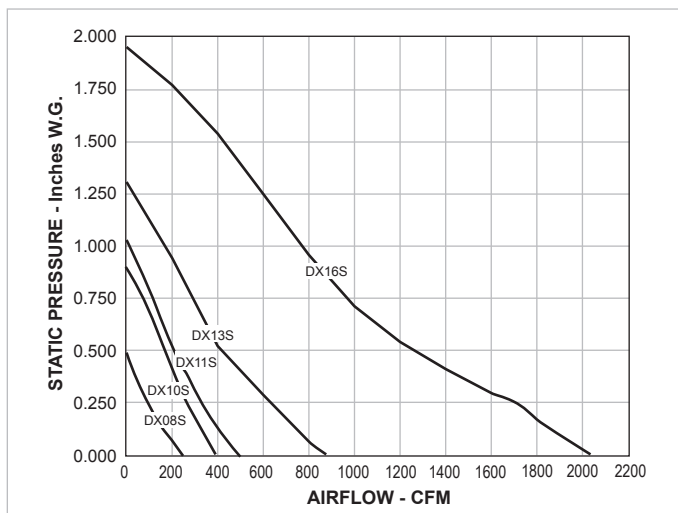
### Nominal 1050 RPM



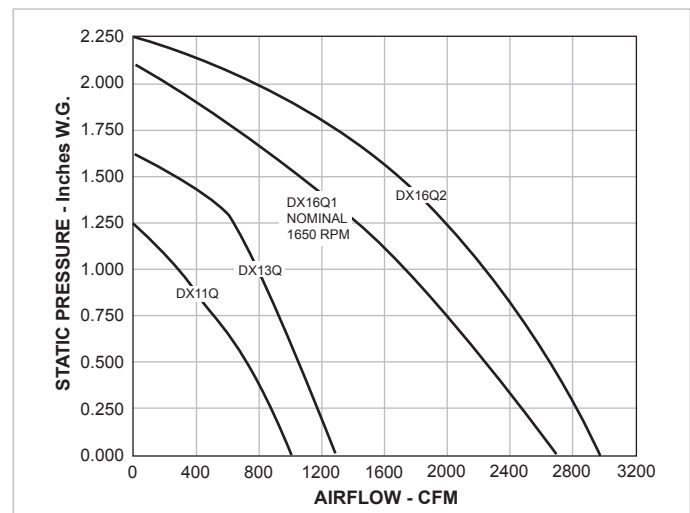
### Nominal 1550 RPM



### Nominal 1300 RPM



### Nominal 1725 RPM



©PENNBARRY 2014

## BELT DRIVE PERFORMANCE DATA

### Performance Data

The belt drive models shown on the following pages have sizes and capacities ranging from below 300 CFM to above 46,000 CFM, with static pressures from 0" to above 1 1/2". All models are available with a wide range of horsepower sizes and RPM's. Two-speed motors are commonly used to enhance this flexibility.

The data provided for each belt drive model includes:

- Elevation Drawing Showing Overall Dimensions
- Fan Curve Graph
- Performance Chart

Each curve graphically displays the range of capacities available for each model, in most cases beyond the specifics shown in the tabular data. The maximum performance afforded by each horsepower is indicated by dashed lines and the RPM is indicated by solid lines.

Some models have graphs that show both shaded and unshaded areas. Selection should be made from the unshaded area only. Shaded areas reflect unstable performance ("surge"), a characteristic typical of backward inclined wheels, and should be avoided. These unstable regions are not shown in the tabular data.

The highest RPM shown for a specific horsepower in the tabular data is the maximum speed that for any point along the performance curve, the BHP will not exceed the available horsepower.

It is important to note that while it is common industry-wide practice to exceed a "nominal" horsepower by using a motor's service factor, PennBarry uses a conservative portion of the service factor, allowing half to remain a true "safety" factor.

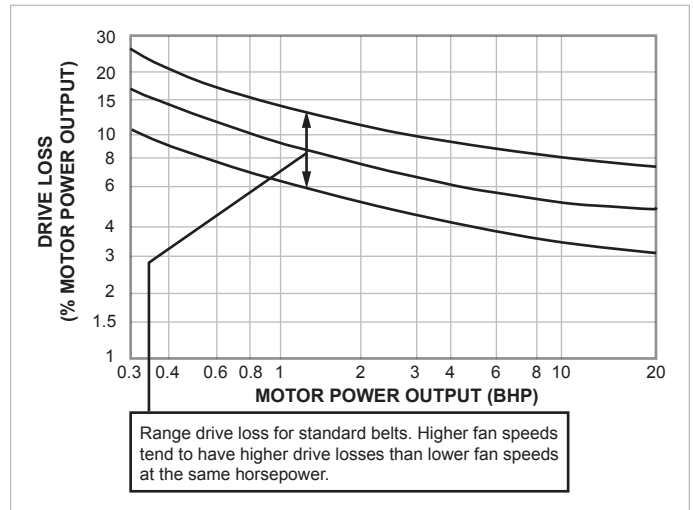
Use the Motor Availability chart (see Motor Selection) to select motor enclosures and voltages which can be installed in the fans.

*Note: Domex fans are only one component of a total system. As such, performance is directly affected by the system. It is critical that system designers determine actual system losses to ensure that the actual flow is specified in the system range.*

### Belt Drive Losses

The AMCA Review Committee has developed the chart shown below for the purpose of estimating belt drive losses. To calculate total BHP (including drive losses): Find the BHP of your operating point on the x-axis on the graph below. Follow the vertical line to the curves indicating the range of drive losses. Look at the y-axis on the left and find the drive loss percentage. Calculate the total BHP by adding the drive loss to the operating point BHP. For BHP's below 0.3, use 30%.

### Drive Loss Reference Chart

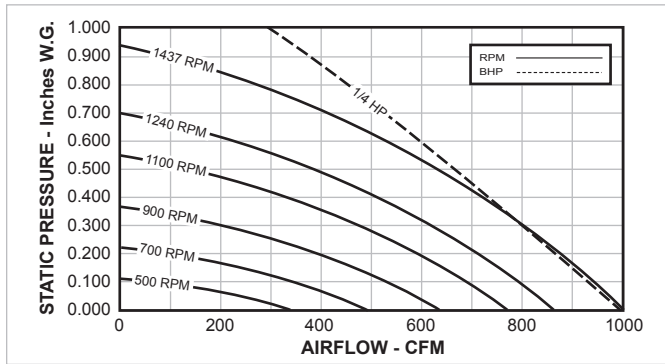


**For totally enclosed, explosion proof, multi-speed and all 1.0 Service Factor motors, fan BHP plus drive losses should not exceed motor rated HP.**

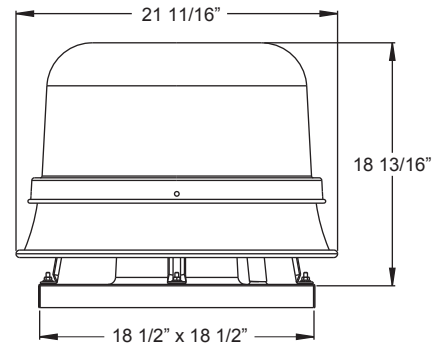
*Graph reprinted from AMCA publication 203, with the express written permission from the Air Movement and Control Association, Inc., 30 West University Drive, Arlington Heights, IL 60004-1983.*



**DX06B | BELT DRIVE**



- Galv. Steel Base = 16 Gage
- Aluminum Base = 0.064"
- Discharge Apron = 0.05"
- Hood = 0.064"
- Roof/Wall Opening = 11 1/2" SQ.
- Damper Size = 11 1/4" SQ.
- Max. Motor Frame Size = 42
- Peak BHP = (RPM/2232)<sup>3</sup>
- Max. RPM = 1437 (1/4 HP)
- Est. Ship Weight = 35 lbs.

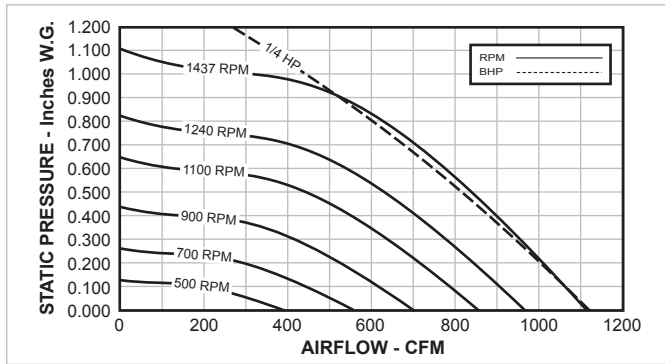


HP	RPM	Tip Speed FPM	0.000" SP		0.125" SP		0.250" SP		0.375" SP		0.500" SP		0.625" SP	
			Sones	BHP	Sones	BHP	Sones	BHP	Sones	BHP	Sones	BHP	Sones	BHP
1/4	375	1092	264	-	-	-	-	-	-	-	-	-	-	-
			1.6	0.01	-	-	-	-	-	-	-	-	-	-
	430	1252	302	-	-	-	-	-	-	-	-	-	-	-
			1.8	0.01	-	-	-	-	-	-	-	-	-	-
	475	1383	334	-	-	-	-	-	-	-	-	-	-	-
			2.1	0.01	-	-	-	-	-	-	-	-	-	-
	520	1515	366	-	-	-	-	-	-	-	-	-	-	-
			2.2	0.01	-	-	-	-	-	-	-	-	-	-
	565	1646	397	-	-	-	-	-	-	-	-	-	-	-
			2.4	0.02	-	-	-	-	-	-	-	-	-	-
	610	1777	429	-	179	-	-	-	-	-	-	-	-	-
			2.9	0.02	2.5	0.02	-	-	-	-	-	-	-	-
	655	1908	461	-	244	-	-	-	-	-	-	-	-	-
			3.1	0.02	2.6	0.02	-	-	-	-	-	-	-	-
	700	2039	492	-	298	-	-	-	-	-	-	-	-	-
			3.4	0.03	2.9	0.03	-	-	-	-	-	-	-	-
	745	2170	524	-	347	-	-	-	-	-	-	-	-	-
			3.7	0.04	3.2	0.03	-	-	-	-	-	-	-	-
	790	2301	556	-	394	-	114	-	-	-	-	-	-	-
			4.0	0.04	3.5	0.04	3.1	0.04	-	-	-	-	-	-
	835	2432	587	-	438	-	209	-	-	-	-	-	-	-
			4.4	0.05	3.8	0.05	3.5	0.04	-	-	-	-	-	-
	880	2563	619	-	480	-	279	-	-	-	-	-	-	-
			4.8	0.06	4.3	0.06	3.7	0.05	-	-	-	-	-	-
925	2694	651	-	519	-	344	-	-	-	-	-	-	-	
		5.2	0.07	4.7	0.07	4.1	0.06	-	-	-	-	-	-	
970	2825	683	-	558	-	398	-	146	-	-	-	-	-	
		5.9	0.08	5.3	0.08	4.6	0.07	4.4	0.05	-	-	-	-	
1015	2956	714	-	597	-	450	-	243	-	-	-	-	-	
		6.4	0.09	5.8	0.09	5.2	0.08	4.8	0.07	-	-	-	-	
1060	3087	746	-	635	-	498	-	315	-	-	-	-	-	
		6.5	0.11	6.0	0.10	5.3	0.10	4.9	0.08	-	-	-	-	
1105	3218	778	-	674	-	544	-	382	-	131	-	-	-	
		6.8	0.12	6.3	0.12	5.7	0.11	5.1	0.10	4.9	0.07	-	-	
1150	3349	809	-	712	-	590	-	442	-	241	-	-	-	
		7.2	0.13	6.7	0.13	6.1	0.13	5.5	0.12	5.1	0.10	-	-	
1195	3480	841	-	749	-	634	-	496	-	318	-	-	-	
		7.7	0.15	7.2	0.15	6.5	0.14	5.9	0.13	5.4	0.12	-	-	
1240	3612	873	-	783	-	675	-	547	-	389	-	158	-	
		8.2	0.17	7.6	0.17	6.9	0.16	6.4	0.15	5.8	0.14	5.3	0.11	
1280	3728	901	-	814	-	710	-	590	-	447	-	256	-	
		8.4	0.19	7.9	0.18	7.3	0.18	6.7	0.17	6.3	0.16	5.9	0.13	
1320	3845	929	-	845	-	745	-	633	-	501	-	330	-	
		8.8	0.20	8.2	0.20	7.6	0.20	7.1	0.19	6.7	0.18	6.4	0.15	
1350	3932	950	-	868	-	771	-	664	-	537	-	378	-	
		9.1	0.22	8.5	0.22	8.0	0.21	7.4	0.20	7.0	0.19	6.8	0.17	
1390	4048	978	-	898	-	805	-	704	-	585	-	440	-	
		9.5	0.24	9.1	0.24	8.4	0.23	7.9	0.22	7.5	0.21	7.3	0.19	
1420	4136	999	-	921	-	830	-	734	-	619	-	484	-	
		9.9	0.25	9.4	0.25	8.8	0.25	8.3	0.24	7.8	0.23	7.8	0.21	
1437	4185	1011	-	933	-	845	-	750	-	638	-	509	-	
		10.1	0.26	9.5	0.26	9.1	0.25	8.5	0.25	8.0	0.24	7.9	0.22	

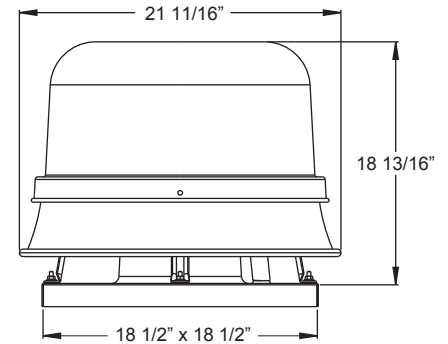
Performance shown is for installation type A: Free Inlet, Free Outlet. Power rating (BHP) does not include transmission losses. For further information on estimating belt drive losses and motor service factors see page 13. The sound ratings shown are for loudness values in fan sones at 5'0" (1.5m) in a hemispherical free field per AMCA Standard 301. Values shown are for installation Type A: free inlet hemispherical sone levels. Performance ratings do not include the effects of appurtenances in the airstream.

©PENNBARRY 2014

**DX08B | BELT DRIVE**



- Galv. Steel Base = 16 Gage
- Aluminum Base = 0.064"
- Discharge Apron = 0.064"
- Hood = 0.064"
- Roof/Wall Opening = 11 1/2" SQ.
- Damper Size = 11 1/4" SQ.
- Max. Motor Frame Size = 42
- Peak BHP = (RPM/2232)<sup>3</sup>
- Max. RPM = 1437 (1/4 HP)
- Est. Ship Weight = 35 lbs.

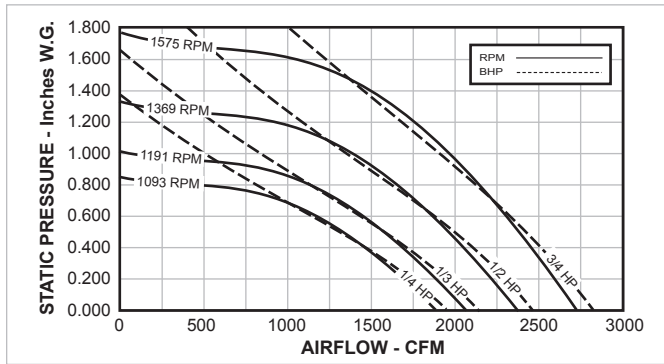


HP	RPM	Tip Speed FPM	0.000" SP		0.125" SP		0.250" SP		0.375" SP		0.500" SP		0.625" SP		0.750" SP	
			Sones	BHP	Sones	BHP	Sones	BHP	Sones	BHP	Sones	BHP	Sones	BHP	Sones	BHP
1/4	375	1150	289	-	-	-	-	-	-	-	-	-	-	-	-	-
			1.4	0.01	-	-	-	-	-	-	-	-	-	-	-	-
	430	1319	331	-	-	-	-	-	-	-	-	-	-	-	-	-
			1.7	0.01	-	-	-	-	-	-	-	-	-	-	-	-
	475	1457	366	-	-	-	-	-	-	-	-	-	-	-	-	-
			2.0	0.01	-	-	-	-	-	-	-	-	-	-	-	-
	520	1595	401	155	-	-	-	-	-	-	-	-	-	-	-	-
			2.2	0.01	1.7	0.01	-	-	-	-	-	-	-	-	-	-
	565	1733	435	242	-	-	-	-	-	-	-	-	-	-	-	-
			2.5	0.02	1.9	0.02	-	-	-	-	-	-	-	-	-	-
	610	1871	470	301	-	-	-	-	-	-	-	-	-	-	-	-
			3.1	0.02	2.4	0.02	-	-	-	-	-	-	-	-	-	-
	655	2009	505	351	-	-	-	-	-	-	-	-	-	-	-	-
			3.4	0.02	2.7	0.02	-	-	-	-	-	-	-	-	-	-
	700	2147	540	399	-	-	-	-	-	-	-	-	-	-	-	-
			3.8	0.03	3.1	0.03	-	-	-	-	-	-	-	-	-	-
	745	2285	574	444	247	-	-	-	-	-	-	-	-	-	-	-
			4.3	0.03	3.5	0.04	3.0	0.03	-	-	-	-	-	-	-	-
	790	2424	609	487	330	-	-	-	-	-	-	-	-	-	-	-
			4.6	0.04	3.9	0.04	3.3	0.04	-	-	-	-	-	-	-	-
	835	2562	644	530	393	-	-	-	-	-	-	-	-	-	-	-
			5.0	0.05	4.2	0.05	3.6	0.05	-	-	-	-	-	-	-	-
	880	2700	678	571	446	207	-	-	-	-	-	-	-	-	-	-
			5.5	0.06	4.7	0.06	4.0	0.06	3.6	0.05	-	-	-	-	-	-
925	2838	713	611	496	329	-	-	-	-	-	-	-	-	-	-	
		6.0	0.07	5.2	0.07	4.5	0.07	4.0	0.07	-	-	-	-	-	-	-
970	2976	748	651	543	408	-	-	-	-	-	-	-	-	-	-	
		6.7	0.08	5.9	0.08	5.2	0.08	4.5	0.08	-	-	-	-	-	-	-
1015	3114	783	691	590	471	236	-	-	-	-	-	-	-	-	-	
		7.2	0.09	6.5	0.09	5.8	0.09	5.1	0.09	4.8	0.08	-	-	-	-	-
1060	3252	817	730	635	526	364	-	-	-	-	-	-	-	-	-	
		7.5	0.10	6.8	0.10	6.2	0.11	5.6	0.11	5.2	0.10	-	-	-	-	-
1105	3390	852	769	678	577	449	-	-	-	-	-	-	-	-	-	
		8.0	0.11	7.2	0.12	6.6	0.12	6.0	0.12	5.5	0.12	-	-	-	-	-
1150	3258	887	808	720	626	514	309	-	-	-	-	-	-	-	-	
		8.8	0.13	7.9	0.13	7.3	0.13	6.7	0.13	6.2	0.13	5.8	0.12	-	-	-
1195	3666	921	846	762	673	575	426	-	-	-	-	-	-	-	-	
		9.8	0.14	8.8	0.15	8.1	0.15	7.6	0.15	7.1	0.15	6.7	0.14	-	-	-
1240	3804	956	885	803	719	626	509	279	-	-	-	-	-	-	-	
		10.4	0.16	9.4	0.16	8.6	0.17	8.1	0.17	7.7	0.17	7.4	0.16	6.8	0.14	-
1280	3927	687	918	840	760	670	566	398	-	-	-	-	-	-	-	
		10.5	0.17	9.6	0.18	8.9	0.18	8.3	0.19	7.9	0.19	7.6	0.18	7.3	0.17	-
1320	4049	1018	952	875	798	714	622	488	-	-	-	-	-	-	-	
		10.8	0.19	10.0	0.20	9.3	0.20	8.7	0.20	8.3	0.20	8.0	0.20	7.9	0.19	-
1350	4141	1041	977	902	827	746	658	544	-	-	-	-	-	-	-	
		11.1	0.21	10.4	0.21	9.7	0.21	9.0	0.22	8.7	0.22	8.5	0.22	8.3	0.21	-
1390	4264	1072	1010	937	865	787	704	603	-	-	-	-	-	-	-	
		11.7	0.22	11.1	0.23	10.3	0.23	9.7	0.23	9.1	0.24	9.1	0.24	9.0	0.23	-
1420	4356	1095	1035	964	893	818	737	645	-	-	-	-	-	-	-	
		12.3	0.24	11.6	0.24	10.9	0.25	10.3	0.25	9.6	0.25	9.6	0.25	9.6	0.25	-
1437	4408	1108	1049	979	909	836	756	669	-	-	-	-	-	-	-	
		12.5	0.25	11.8	0.25	11.1	0.26	10.5	0.26	9.9	0.26	9.8	0.26	9.8	0.26	-

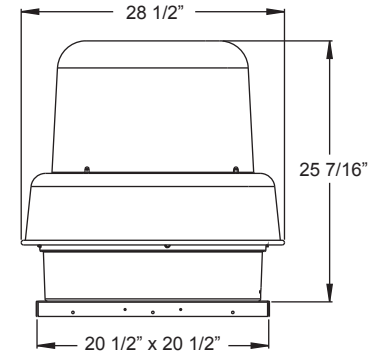
Performance shown is for installation type A: Free Inlet, Free Outlet. Power rating (BHP) does not include transmission losses. For further information on estimating belt drive losses and motor service factors see page 13. The sound ratings shown are for loudness values in fan sones at 5'0" (1.5m) in a hemispherical free field per AMCA Standard 301. Values shown are for installation Type A: free inlet hemispherical sone levels. Performance ratings do not include the effects of appurtenances in the airstream.

©PENNBARRY 2014

DX11B | BELT DRIVE



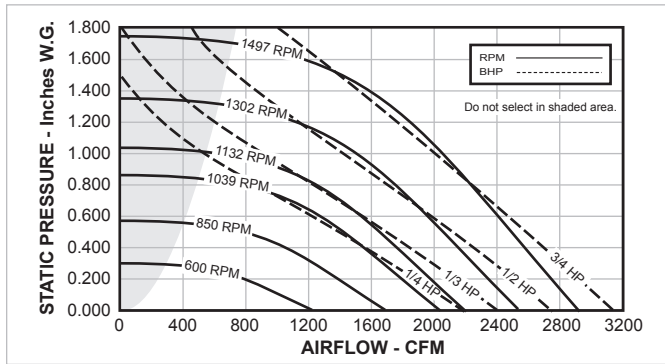
Galv. Steel Base = 16 Gage
Aluminum Base = 0.064"
Hood / Apron = 0.08"
Roof/Wall Opening = 16" SQ.
Damper Size = 15 3/4" SQ.
Max. Motor Frame Size = 56
Peak BHP = (RPM/1700) <sup>3</sup>
Max. RPM = 1810 (3/4 HP)
Est. Ship Weight = 55 lbs.



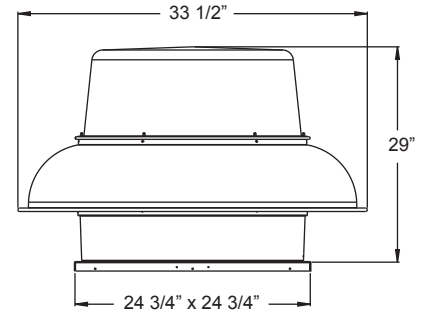
HP	RPM	Tip Speed FPM	0.000" SP		0.125" SP		0.250" SP		0.375" SP		0.500" SP		0.625" SP		0.750" SP		0.875" SP		1.000" SP		1.125" SP			
			Sones	BHP	Sones	BHP	Sones	BHP	Sones	BHP	Sones	BHP	Sones	BHP	Sones	BHP	Sones	BHP	Sones	BHP	Sones	BHP		
1/4	650	2345	1120		905		535		-		-		-		-		-		-		-			
			4.7	0.05	4.1	0.05	3.4	0.05	-	-	-	-	-	-	-	-	-	-	-	-	-	-		
	675	2435	1164		959		638		-		-		-		-		-		-		-			
			4.9	0.05	4.3	0.06	3.6	0.06	-	-	-	-	-	-	-	-	-	-	-	-	-			
	700	2526	1207		1011		737		-		-		-		-		-		-		-			
			5.1	0.06	4.6	0.07	3.9	0.07	-	-	-	-	-	-	-	-	-	-	-	-	-			
	725	2616	1250		1062		813		-		-		-		-		-		-		-			
			5.5	0.07	4.9	0.07	4.3	0.08	-	-	-	-	-	-	-	-	-	-	-	-	-			
	750	2706	1293		1113		880		252		-		-		-		-		-		-			
			5.8	0.07	5.3	0.08	4.7	0.09	4.1	0.05	-	-	-	-	-	-	-	-	-	-	-			
	800	2886	1379		1213		1007		672		-		-		-		-		-		-			
			6.6	0.09	6.1	0.10	5.5	0.10	5.0	0.10	-	-	-	-	-	-	-	-	-	-	-			
	825	2976	1422		1263		1067		775		-		-		-		-		-		-			
			6.8	0.10	6.3	0.10	5.7	0.11	5.2	0.11	-	-	-	-	-	-	-	-	-	-				
850	3067	1465		1312		1126		874		-		-		-		-		-		-				
		7.0	0.11	6.5	0.11	5.9	0.12	5.4	0.12	-	-	-	-	-	-	-	-	-	-					
900	3247	1552		1407		1238		1028		665		-		-		-		-		-				
		7.8	0.13	7.2	0.13	6.5	0.14	6.0	0.15	5.7	0.13	-	-	-	-	-	-	-	-					
950	3427	1638		1502		1347		1159		884		-		-		-		-		-				
		8.5	0.15	7.9	0.16	7.3	0.16	6.7	0.17	6.3	0.17	-	-	-	-	-	-	-	-					
1000	3608	1724		1596		1451		1282		1080		706		-		-		-		-				
		9.2	0.17	8.7	0.18	8.0	0.19	7.3	0.20	7.0	0.20	6.8	0.18	-	-	-	-	-	-					
1050	3788	1810		1689		1553		1400		1217		939		-		-		-		-				
		9.7	0.20	9.2	0.21	8.5	0.22	7.8	0.23	7.4	0.23	7.1	0.22	-	-	-	-	-						
1075	3878	1853		1735		1603		1456		1284		1040		647		-		-		-				
		10.0	0.21	9.4	0.23	8.8	0.23	8.1	0.24	7.7	0.25	7.4	0.25	7.5	0.21	-	-	-	-					
1093	3943	1884		1768		1639		1496		1329		1111		758		-		-		-				
		10.2	0.23	9.6	0.24	9.1	0.24	8.3	0.26	7.9	0.26	7.7	0.26	7.7	0.23	-	-	-	-					
1/3	1125	4059	1940		1827		1703		1566		1408		1227		924		-		-		-			
			10.6	0.25	10.0	0.26	9.5	0.27	8.8	0.27	8.2	0.29	8.0	0.29	8.1	0.27	-	-	-					
			1983	1873	1753	1621	1469	1296	1028	489	-	-	-	-	-	-	-	-						
1150	4149	11.0		10.4		9.8		9.1		8.5		8.3		8.3		8.4		8.4		0.21		-		
		2053	1948	1834	1708	1568	1406	1193	883	-	-	-	-	-	-	-	-							
1191	4297	11.5		11.0		10.5		9.8		9.0		8.8		8.6		8.6		8.6		0.31		-		
		2103	2001	1889	1767	1634	1481	1306	1019	-	-	-	-	-	-	-	-							
1/2	1220	4402	11.9		11.4		10.9		10.2		9.6		9.2		9.0		8.9		8.9		0.34		-	
			2155	2056	1947	1829	1700	1555	1393	1142	801	-	-	-	-	-	-	-						
	1250	4510	12.4		11.9		11.4		10.8		10.0		9.6		9.4		9.3		9.3		0.38		9.3	
			2241	2147	2042	1930	1811	1677	1528	1342	1071	-	-	-	-	-	-	-						
	1300	4690	13.0		12.6		12.2		11.6		10.9		10.2		10.1		9.9		9.9		0.42		-	
2360			2271	2172	2069	1959	1838	1703	1556	1352	1095	-	-	-	-	-	-							
1369	4939	14.0		13.6		13.2		12.8		12.1		11.4		11.0		10.8		10.9		0.51		10.9		
		2379	2290	2193	2091	1982	1862	1730	1585	1396	1141	-	-	-	-	-	-							
3/4	1380	4979	14.1		13.8		13.4		13.0		12.3		11.6		11.1		10.9		11.0		0.52		11.1	
			2431	2344	2249	2150	2044	1929	1803	1666	1513	1265	-	-	-	-	-	-						
	1410	5087	14.6		14.2		13.8		13.5		12.8		12.1		11.5		11.4		11.4		0.56		11.5	
			2535	2451	2361	2268	2166	2061	1946	1818	1681	1505	-	-	-	-	-	-						
	1470	5304	15.6		15.2		14.8		14.5		13.9		13.2		12.6		12.3		12.2		0.64		12.3	
			2586	2504	2416	2325	2227	2126	2014	1892	1761	1620	-	-	-	-	-	-						
1500	5412	16.1		15.8		15.4		15.1		14.5		13.9		13.2		12.8		12.7		0.68		12.8		
		2716	2638	2555	2468	2377	2282	2180	2073	1952	1825	-	-	-	-	-	-							
1575	5682	17.4		17.2		16.9		16.6		16.3		15.6		15.0		14.4		14.3		0.79		14.3		
		2900	2818	2729	2638	2547	2456	2365	2274	2183	2092	2001	1910	1819	1728	1637	1546	1455	1364	1273	1182	1091		

Performance shown is for installation type A: Free Inlet, Free Outlet. Power rating (BHP) does not include transmission losses. For further information on estimating belt drive losses and motor service factors see page 13. The sound ratings shown are for loudness values in fan sones at 5'0" (1.5m) in a hemispherical free field per AMCA Standard 301. Values shown are for installation Type A: free inlet hemispherical sone levels. Performance ratings do not include the effects of appurtenances in the airstream.

## DX12B | BELT DRIVE



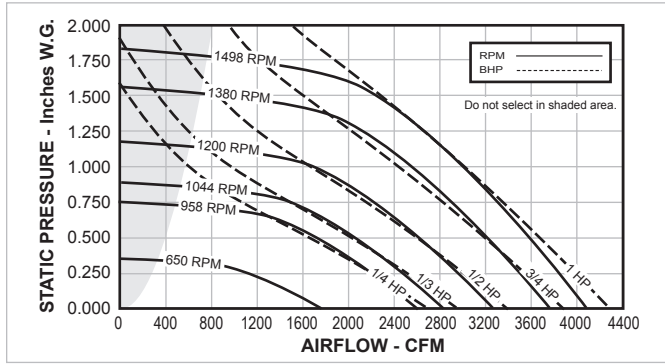
- Galv. Steel Base = 16 Gage
- Aluminum Base = 0.064"
- Hood / Apron = 0.09"
- Roof/Wall Opening = 16" SQ.
- Damper Size = 15 3/4" SQ.
- Max. Motor Frame Size = 56
- Peak BHP = (RPM/1617)<sup>3</sup>
- Max. RPM = 2000 (1 1/2 HP)
- Est. Ship Weight = 98 lbs.



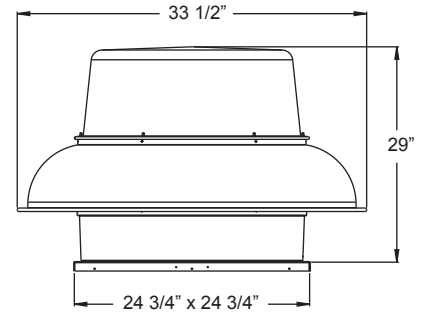
HP	RPM	Tip Speed FPM	0.000" SP		0.125" SP		0.250" SP		0.375" SP		0.500" SP		0.625" SP		0.750" SP		0.875" SP		1.000" SP		1.250" SP	
			Sones	BHP	Sones	BHP	Sones	BHP	Sones	BHP	Sones	BHP	Sones	BHP	Sones	BHP	Sones	BHP	Sones	BHP	Sones	BHP
1/4	400	1662	780	-	-	-	-	-	-	-	-	-	-	-	-	-	-	-	-	-	-	-
			2.9	0.01	-	-	-	-	-	-	-	-	-	-	-	-	-	-	-	-	-	-
	500	2078	975	-	-	-	-	-	-	-	-	-	-	-	-	-	-	-	-	-	-	-
			4.9	0.02	4.2	0.03	-	-	-	-	-	-	-	-	-	-	-	-	-	-	-	-
	600	2494	1170	-	-	-	538	-	-	-	-	-	-	-	-	-	-	-	-	-	-	-
			7.1	0.04	6.6	0.05	6.1	0.05	-	-	-	-	-	-	-	-	-	-	-	-	-	-
	700	2909	1365	-	-	903	-	-	-	-	-	-	-	-	-	-	-	-	-	-	-	-
			9.4	0.06	8.7	0.07	8.5	0.08	-	-	-	-	-	-	-	-	-	-	-	-	-	-
	800	3325	1561	-	-	1182	929	-	-	-	-	-	-	-	-	-	-	-	-	-	-	-
			11.0	0.09	10.2	0.11	10.0	0.12	9.6	0.12	-	-	-	-	-	-	-	-	-	-	-	-
	850	3533	1658	-	-	1308	1084	769	-	-	-	-	-	-	-	-	-	-	-	-	-	-
			11.5	0.11	10.8	0.13	10.4	0.14	10.2	0.14	9.6	0.12	-	-	-	-	-	-	-	-	-	-
900	3740	1756	-	-	1425	1232	985	-	-	-	-	-	-	-	-	-	-	-	-	-	-	
		12.2	0.13	11.5	0.15	11.0	0.16	10.8	0.17	10.3	0.17	-	-	-	-	-	-	-	-	-	-	-
950	3948	1853	-	-	1538	1371	1155	858	-	-	-	-	-	-	-	-	-	-	-	-	-	
		12.9	0.16	12.3	0.17	11.6	0.18	11.4	0.19	11.0	0.20	10.4	0.19	-	-	-	-	-	-	-	-	-
1000	4156	1951	-	-	1650	1499	1308	1076	553	-	-	-	-	-	-	-	-	-	-	-	-	
		13.3	0.18	12.8	0.20	12.1	0.21	11.7	0.22	11.4	0.23	11.1	0.23	10.1	0.19	-	-	-	-	-	-	-
1039	4318	2027	-	-	1737	1597	1422	1219	930	-	-	-	-	-	-	-	-	-	-	-	-	
		13.7	0.21	13.2	0.22	12.6	0.24	12.2	0.25	11.7	0.26	11.6	0.26	11.2	0.25	-	-	-	-	-	-	-
1/3	1055	4385	2058	-	-	1774	1636	1468	1269	1011	-	-	-	-	-	-	-	-	-	-	-	
			13.8	0.21	13.4	0.23	12.8	0.25	12.4	0.26	11.9	0.27	11.7	0.28	11.5	0.27	-	-	-	-	-	-
	1075	4468	2097	-	-	1819	1683	1525	1331	1094	524	-	-	-	-	-	-	-	-	-	-	-
			14.1	0.23	13.6	0.24	13.1	0.26	12.6	0.27	12.2	0.28	12.0	0.29	11.8	0.29	10.8	0.23	-	-	-	-
	1100	4572	2146	-	-	1875	1740	1591	1408	1197	855	-	-	-	-	-	-	-	-	-	-	-
			14.5	0.24	13.9	0.26	13.4	0.28	12.9	0.29	12.5	0.30	12.3	0.31	12.2	0.31	11.7	0.29	-	-	-	-
	1132	4705	2208	-	-	1946	1813	1673	1503	1316	1058	-	-	-	-	-	-	-	-	-	-	-
			15.0	0.27	14.4	0.28	13.9	0.30	13.4	0.31	13.0	0.33	12.7	0.34	12.6	0.34	12.5	0.33	-	-	-	-
	1/2	1150	4779	2244	-	-	1986	1854	1719	1556	1373	1136	572	-	-	-	-	-	-	-	-	-
				15.3	0.28	14.7	0.29	14.2	0.31	13.7	0.33	13.3	0.34	12.9	0.35	12.9	0.36	12.9	0.35	12.0	0.28	-
1175		4883	2292	-	-	2041	1910	1782	1629	1451	1239	906	-	-	-	-	-	-	-	-	-	-
			15.7	0.30	15.2	0.31	14.6	0.33	14.2	0.35	13.7	0.36	13.3	0.37	13.2	0.38	13.3	0.38	12.9	0.35	-	-
1200		4987	2341	-	-	2096	1966	1844	1700	1527	1341	1076	-	-	-	-	-	-	-	-	-	-
			16.3	0.32	15.8	0.33	15.2	0.35	14.7	0.37	14.3	0.38	13.8	0.39	13.7	0.40	13.7	0.41	13.6	0.39	-	-
1250		5195	2439	-	-	2206	2077	1963	1831	1676	1507	1300	-	-	-	-	-	-	-	-	-	-
			17.2	0.36	16.8	0.37	16.2	0.40	15.7	0.42	15.1	0.43	14.7	0.44	14.4	0.45	14.4	0.46	14.5	0.45	-	-
1275		5299	2488	-	-	2260	2134	2021	1895	1749	1585	1402	-	-	-	-	-	-	-	-	-	-
			17.7	0.38	17.2	0.39	16.7	0.42	16.1	0.44	15.5	0.45	14.9	0.47	14.5	0.48	14.6	0.48	14.7	0.48	-	-
1302	5411	2540	-	-	2319	2195	2082	1963	1827	1668	1503	869	-	-	-	-	-	-	-	-	-	
		18.1	0.40	17.6	0.42	17.1	0.44	16.6	0.46	16.0	0.48	15.4	0.49	14.7	0.51	14.7	0.52	14.9	0.52	14.5	0.45	-
3/4	1325	5507	2585	-	-	2369	2247	2134	2021	1891	1736	1576	1106	-	-	-	-	-	-	-	-	
			18.5	0.43	18.0	0.44	17.5	0.46	17.0	0.49	16.4	0.50	15.8	0.52	15.2	0.53	14.8	0.54	15.0	0.55	15.1	0.51
	1350	5611	2634	-	-	2423	2303	2190	2083	1956	1810	1654	1248	-	-	-	-	-	-	-	-	-
			18.9	0.45	18.4	0.47	17.9	0.49	17.4	0.51	16.8	0.53	16.3	0.54	15.7	0.56	15.2	0.57	15.1	0.58	15.6	0.56
	1400	5818	2731	-	-	2530	2414	2302	2201	2084	1955	1807	1463	-	-	-	-	-	-	-	-	-
			19.9	0.50	19.4	0.52	18.8	0.54	18.3	0.57	17.7	0.59	17.2	0.60	16.7	0.62	16.1	0.63	15.9	0.64	16.2	0.64
	1425	5922	2780	-	-	2584	2469	2357	2258	2147	2026	1882	1566	-	-	-	-	-	-	-	-	-
			20.0	0.53	19.9	0.55	19.3	0.57	18.7	0.60	18.2	0.62	17.7	0.63	17.2	0.65	16.6	0.66	16.2	0.67	16.3	0.68
	1450	6026	2829	-	-	2637	2524	2413	2315	2210	2092	1955	1663	-	-	-	-	-	-	-	-	-
			21.0	0.56	20.0	0.58	19.9	0.60	19.3	0.62	18.7	0.65	18.2	0.66	17.6	0.68	17.1	0.69	16.6	0.70	16.6	0.72
1497	6222	2921	-	-	2737	2627	2520	2421	2327	2212	2091	1811	-	-	-	-	-	-	-	-	-	
		22.0	0.61	21.0	0.63	21.0	0.65	20.0	0.68	19.7	0.71	19.2	0.72	18.7	0.74	18.1	0.75	17.5	0.77	17.3	0.79	-

Performance shown is for installation type A: Free Inlet, Free Outlet. Power rating (BHP) does not include transmission losses. For further information on estimating belt drive losses and motor service factors see page 13. The sound ratings shown are for loudness values in fan sones at 5'0" (1.5m) in a hemispherical free field per AMCA Standard 301. Values shown are for installation Type A: free inlet hemispherical sone levels. Performance ratings do not include the effects of appurtenances in the airstream.

DX14B | BELT DRIVE



- Galv. Steel Base = 16 Gage
- Aluminum Base = 0.064"
- Hood / Apron = 0.09"
- Roof/Wall Opening = 16" SQ.
- Damper Size = 15 3/4" SQ.
- Max. Motor Frame Size = 56
- Peak BHP = (RPM/1493)<sup>3</sup>
- Max. RPM = 1793 (1 1/2 HP)
- Est. Ship Weight = 98 lbs.

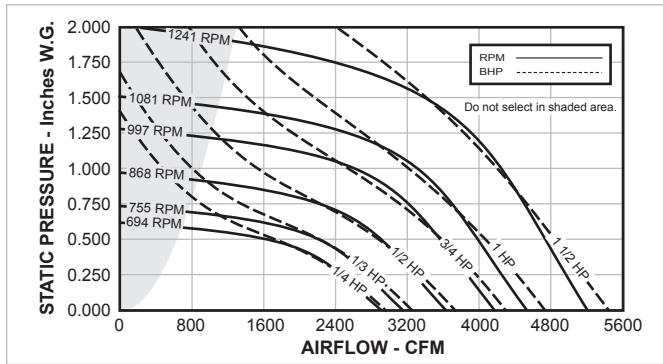


HP	RPM	Tip Speed FPM	0.000" SP		0.125" SP		0.250" SP		0.375" SP		0.500" SP		0.625" SP		0.750" SP		1.000" SP		1.250" SP		1.500" SP		
			Sones	BHP	Sones	BHP	Sones	BHP	Sones	BHP	Sones	BHP	Sones	BHP	Sones	BHP	Sones	BHP	Sones	BHP	Sones	BHP	Sones
1/4	350	1455	952	-	-	-	-	-	-	-	-	-	-	-	-	-	-	-	-	-	-	-	-
			1.6	0.01	-	-	-	-	-	-	-	-	-	-	-	-	-	-	-	-	-	-	-
	400	1662	1088	-	-	-	-	-	-	-	-	-	-	-	-	-	-	-	-	-	-	-	-
			2.5	0.02	3.0	0.01	-	-	-	-	-	-	-	-	-	-	-	-	-	-	-	-	-
	515	2140	1401	-	-	-	-	-	-	-	-	-	-	-	-	-	-	-	-	-	-	-	-
			4.8	0.04	4.5	0.04	-	-	-	-	-	-	-	-	-	-	-	-	-	-	-	-	-
	680	2826	1849	-	-	1212	-	-	-	-	-	-	-	-	-	-	-	-	-	-	-	-	-
			7.3	0.08	6.7	0.09	6.0	0.09	-	-	-	-	-	-	-	-	-	-	-	-	-	-	-
842	3499	2290	-	-	1835	-	-	1522	-	-	1104	-	-	-	-	-	-	-	-	-	-	-	
		9.7	0.15	9.0	0.17	8.3	0.18	7.4	0.18	6.3	0.17	-	-	-	-	-	-	-	-	-	-	-	-
910	3782	2475	-	-	2070	-	-	1793	-	-	1495	831	-	-	-	-	-	-	-	-	-	-	
		10.7	0.19	10.1	0.21	9.5	0.22	8.8	0.23	7.6	0.22	6.9	0.18	-	-	-	-	-	-	-	-	-	-
958	3982	2606	-	-	2226	-	-	1977	-	-	1699	1355	-	-	-	-	-	-	-	-	-	-	
		11.8	0.23	11.2	0.24	10.6	0.26	10.0	0.26	8.8	0.26	7.6	0.25	-	-	-	-	-	-	-	-	-	-
1/3	1000	4156	2720	-	-	2360	-	-	2135	-	-	1870	1588	1033	-	-	-	-	-	-	-	-	
			12.6	0.26	12.0	0.27	11.4	0.29	10.8	0.30	9.8	0.30	8.5	0.29	7.9	0.25	-	-	-	-	-	-	-
	1020	4239	2774	-	-	2424	-	-	2208	-	-	1949	1684	1250	-	-	-	-	-	-	-	-	
			12.9	0.27	12.3	0.29	11.8	0.30	11.1	0.32	10.2	0.32	8.9	0.31	8.1	0.29	-	-	-	-	-	-	-
1044	4339	2840	-	-	2499	-	-	2292	-	-	2044	1788	1445	-	-	-	-	-	-	-	-	-	
		13.1	0.29	12.6	0.31	12.1	0.33	11.4	0.34	10.7	0.34	9.4	0.34	8.4	0.32	-	-	-	-	-	-	-	-
1/2	1060	4405	2883	-	-	2549	-	-	2348	-	-	2106	1854	1561	-	-	-	-	-	-	-	-	
			13.4	0.31	12.8	0.32	12.4	0.34	11.7	0.35	11.0	0.36	9.8	0.35	8.7	0.34	-	-	-	-	-	-	-
	1095	4551	2978	-	-	2654	-	-	2469	-	-	2240	1998	1738	-	-	-	-	-	-	-	-	-
			14.2	0.34	13.7	0.35	13.2	0.37	12.6	0.39	11.9	0.39	10.7	0.39	9.5	0.38	-	-	-	-	-	-	-
	1130	4696	3074	-	-	2758	-	-	2586	-	-	2373	2138	1901	610	-	-	-	-	-	-	-	-
			15.2	0.37	14.6	0.39	14.1	0.41	13.6	0.42	12.8	0.43	11.9	0.43	10.5	0.43	9.3	0.25	-	-	-	-	-
1160	4821	3155	-	-	2847	-	-	2683	-	-	2484	2257	2027	1251	-	-	-	-	-	-	-	-	
		16.0	0.40	15.5	0.42	15.1	0.44	14.5	0.46	13.8	0.47	12.9	0.47	11.5	0.46	9.8	0.40	-	-	-	-	-	-
1190	4946	3237	-	-	2936	-	-	2780	-	-	2592	2373	2150	1556	-	-	-	-	-	-	-	-	
		17.0	0.44	16.4	0.45	16.0	0.47	15.5	0.49	14.8	0.50	14.0	0.51	12.6	0.50	10.4	0.47	-	-	-	-	-	-
1200	4987	3264	-	-	3109	-	-	2965	-	-	2812	2627	2412	2191	1629	-	-	-	-	-	-	-	
		17.3	0.45	16.8	0.46	16.3	0.48	15.8	0.50	15.1	0.52	14.4	0.52	12.9	0.52	10.6	0.49	-	-	-	-	-	-
3/4	1218	5062	3313	-	-	3018	-	-	2869	-	-	2690	2481	2263	1759	-	-	-	-	-	-	-	
			17.7	0.47	17.2	0.48	16.7	0.50	16.2	0.52	15.6	0.54	14.8	0.54	13.5	0.54	11.0	0.52	-	-	-	-	-
	1285	5341	3495	-	-	3351	-	-	3213	-	-	2921	2733	2528	2105	1072	-	-	-	-	-	-	-
			18.5	0.55	18.0	0.56	17.5	0.58	17.1	0.61	16.5	0.63	15.8	0.64	15.1	0.40	12.6	0.62	11.8	0.47	-	-	-
1315	5465	3577	-	-	3435	-	-	3300	-	-	3019	2844	2644	2238	1594	-	-	-	-	-	-	-	
		18.7	0.59	18.2	0.60	17.7	0.62	17.3	0.65	16.8	0.67	16.2	0.68	15.5	0.68	13.3	0.67	12.2	0.62	-	-	-	-
1345	5590	3659	-	-	3520	-	-	3387	-	-	3116	2949	2759	2363	1845	-	-	-	-	-	-	-	
		19.0	0.63	18.5	0.65	18.1	0.67	17.7	0.69	17.2	0.71	16.6	0.73	16.0	0.73	14.0	0.72	12.5	0.69	-	-	-	-
1380	5735	3754	-	-	3619	-	-	3488	-	-	3367	3229	3071	2891	2507	2080	699	-	-	-	-	-	
		19.5	0.68	19.1	0.70	18.6	0.72	18.2	0.74	17.8	0.76	17.2	0.78	16.6	0.79	14.9	0.79	13.1	0.76	12.9	0.45	-	-
1	1400	5818	3808	-	-	3675	-	-	3546	-	-	3426	3293	3140	2966	2587	2178	939	-	-	-	-	
			19.9	0.71	19.4	0.73	19.0	0.75	18.6	0.77	18.2	0.79	17.6	0.81	17.0	0.82	15.5	0.82	13.6	0.80	13.2	0.53	-
	1425	5922	3876	-	-	3746	-	-	3617	-	-	3500	3372	3226	3059	2687	2298	1579	-	-	-	-	-
			20.0	0.75	20.0	0.77	19.5	0.79	19.2	0.81	18.8	0.83	18.2	0.86	17.6	0.87	16.2	0.87	14.3	0.85	13.6	0.76	-
	1450	6026	3944	-	-	3816	-	-	3689	-	-	3574	3451	3309	3149	2786	2417	1848	-	-	-	-	-
			21.0	0.79	21.0	0.81	20.0	0.83	19.7	0.85	19.3	0.87	18.8	0.90	18.2	0.91	16.8	0.91	15.0	0.90	14.0	0.85	-
1475	6130	4012	-	-	3886	-	-	3761	-	-	3647	3530	3391	3236	2885	2523	2033	-	-	-	-	-	
		22.0	0.83	21.0	0.85	21.0	0.87	20.0	0.89	19.8	0.92	19.3	0.94	18.8	0.96	17.5	0.96	15.7	0.95	14.2	0.91	-	-
1498	6226	4075	-	-	3951	-	-	3826	-	-	3714	3602	3465	3317	2974	2618	2200	-	-	-	-	-	
		22.0	0.87	22.0	0.89	21.0	0.91	21.0	0.93	20.0	0.96	19.8	0.98	19.3	1.00	18.1	1.01	16.3	1.00	14.6	0.97	-	-

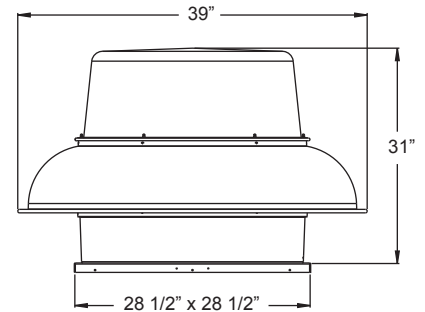
Performance shown is for installation type A: Free Inlet, Free Outlet. Power rating (BHP) does not include transmission losses. For further information on estimating belt drive losses and motor service factors see page 13. The sound ratings shown are for loudness values in fan sones at 5'0" (1.5m) in a hemispherical free field per AMCA Standard 301. Values shown are for installation Type A: free inlet hemispherical sone levels. Performance ratings do not include the effects of appurtenances in the airstream.



**DX16B | BELT DRIVE**



- Galv. Steel Base = 14 Gage
- Aluminum Base = 0.08"
- Discharge Apron = 0.064"
- Hood = 0.08"
- Roof/Wall Opening = 20" SQ.
- Damper Size = 19 3/4" SQ.
- Max. Motor Frame Size = 145T
- Peak BHP = (RPM/1078)<sup>3</sup>
- Max. RPM = 1631 (3 HP)
- Est. Ship Weight = 131 lbs.

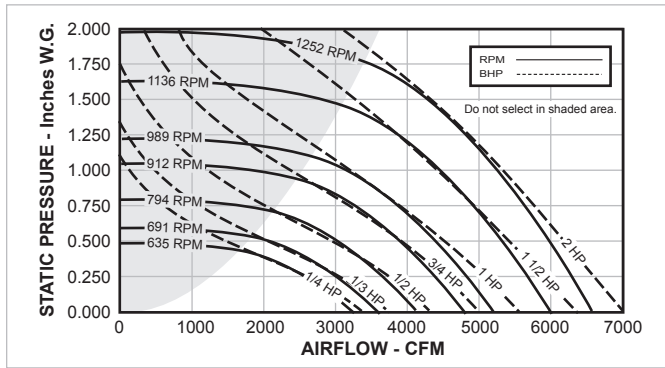


HP	RPM	Tip Speed FPM	0.000" SP		0.125" SP		0.250" SP		0.375" SP		0.500" SP		0.625" SP		0.750" SP		1.000" SP		1.250" SP		1.500" SP					
			Sones	BHP	Sones	BHP	Sones	BHP	Sones	BHP	Sones	BHP	Sones	BHP	Sones	BHP	Sones	BHP	Sones	BHP	Sones	BHP	Sones	BHP		
1/4	300	1468	1248		-		-		-		-		-		-		-		-		-		-			
			3.1	0.02	-		-		-		-		-		-		-		-		-		-			
	450	2202	1873		1531		511		-		-		-		-		-		-		-		-			
			5.2	0.06	4.5	0.07	4.4	0.05	-		-		-		-		-		-		-		-			
			2497		2250		1980		1465		-		-		-		-		-		-		-		-	
600	2936	8.8		0.15		8.3		0.16		7.9		0.17		7.4		0.16		-		-		-		-		
		2705		2478		2233		1935		1029		-		-		-		-		-		-		-		
		2889		2677		2450		2212		1707		-		-		-		-		-		-		-		
		10.4		0.23		10.0		0.24		9.7		0.26		8.8		0.25		-		-		-		-		
715	3498	2976		2772		2552		2323		1948		907		-		-		-		-		-		-		
		10.9		0.25		10.5		0.27		10.1		0.28		9.8		0.29		9.2		0.29		8.9		0.20		
		3059		2861		2648		2426		2120		1302		-		-		-		-		-		-		
		11.5		0.27		11.0		0.29		10.6		0.30		10.2		0.31		9.7		0.32		9.2		0.26		
755	3694	3142		2950		2744		2528		2266		1620		-		-		-		-		-		-		
		11.9		0.30		11.6		0.31		11.1		0.33		10.7		0.34		10.3		0.34		9.7		0.31		
		3226		3039		2839		2629		2397		1897		766		-		-		-		-		-		
1/2	775	3792	12.3		0.32		11.9		0.34		11.6		0.35		10.7		0.37		10.1		0.35		9.9		0.22	
			3330		3150		2957		2755		2546		2183		1334		-		-		-		-		-	
	800	3914	12.8		0.35		12.4		0.37		12.0		0.38		11.7		0.40		11.3		0.41		10.6		0.40	
			3434		3259		3073		2878		2679		2396		1744		-		-		-		-		-	
			13.3		0.39		12.9		0.40		12.5		0.42		12.2		0.43		11.8		0.45		11.2		0.45	
850	4159	3538		3368		3188		3001		2808		2575		2091		-		-		-		-		-		
		13.8		0.42		13.5		0.44		13.1		0.46		12.7		0.47		12.3		0.49		11.9		0.49		
868	4247	3613		3447		3271		3088		2900		2690		2314		-		-		-		-		-		
		14.3		0.45		13.9		0.47		13.5		0.49		13.2		0.50		12.8		0.51		12.3		0.52		
		3725		3564		3395		3218		3037		2850		2556		887		-		-		-		-		
		15.0		0.49		14.6		0.51		14.2		0.53		13.9		0.55		13.5		0.56		13.0		0.57		
3/4	925	4526	3850		3694		3531		3362		3187		3009		2778		1563		-		-		-			
			15.8		0.54		15.4		0.56		15.0		0.58		14.7		0.60		14.3		0.62		13.9		0.63	
	950	4648	3954		3803		3644		3481		3311		3138		2941		1974		-		-		-			
			16.5		0.59		16.1		0.61		15.8		0.63		15.4		0.65		15.0		0.66		14.2		0.69	
			4058		3911		3757		3599		3433		3266		3090		2331		-		-		-		-	
975	4770	17.1		0.64		16.7		0.66		16.4		0.68		16.0		0.70		15.7		0.71		15.3		0.73		
		4150		4005		3856		3701		3540		3377		3212		2608		-		-		-		-		
1	1025	5015	4266		4126		3982		3831		3676		3518		3357		2880		1573		-		-			
			17.9		0.74		17.6		0.76		17.2		0.78		16.9		0.80		16.5		0.82		16.2		0.84	
	1055	5162	4391		4255		4116		3969		3820		3667		3511		3115		2100		-		-		-	
			18.5		0.81		18.1		0.83		17.8		0.85		17.4		0.87		17.1		0.89		16.7		0.91	
			4500		4366		4231		4088		3943		3794		3643		3299		2484		-		-		-	
	1081	5289	18.9		0.87		18.6		0.89		18.3		0.92		17.9		0.94		17.6		0.96		17.2		0.97	
			4641		4512		4382		4244		4104		3960		3814		3504		2920		1562		-		-	
1 1/2	1115	5455	19.8		0.95		19.4		0.98		19.1		1.00		18.7		1.02		18.4		1.04		18.1		1.06	
			4787		4662		4536		4403		4268		4129		3989		3703		3256		2209		-		-	
	1180	5773	4912		4790		4668		4538		4407		4273		4136		3858		3486		2664		-		-	
			22.0		1.13		21.0		1.16		21.0		1.18		21.0		1.21		20.0		1.23		19.8		1.25	
			5037		4918		4798		4673		4546		4416		4282		4012		3698		3056		-		-	
1210	5920	22.0		1.22		22.0		1.24		22.0		1.27		21.0		1.30		21.0		1.32		21.0		1.34		
		5166		5050		4933		4812		4688		4563		4432		4170		3884		3398		-		-		
1241	6072	23.0		1.31		23.0		1.34		22.0		1.37		22.0		1.39		22.0		1.42		21.0		1.44		
		21.0		1.46		20.0		1.50		19.1		1.53		17.8		1.51		-		-		-		-		

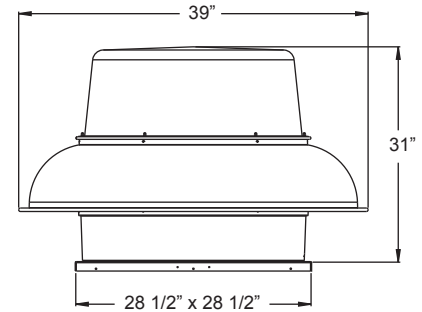
Performance shown is for installation type A: Free Inlet, Free Outlet. Power rating (BHP) does not include transmission losses. For further information on estimating belt drive losses and motor service factors see page 13. The sound ratings shown are for loudness values in fan sones at 5'0" (1.5m) in a hemispherical free field per AMCA Standard 301. Values shown are for installation Type A: free inlet hemispherical sone levels. Performance ratings do not include the effects of appurtenances in the airstream.

©PENNBARRY 2014

DX18B | BELT DRIVE



Galv. Steel Base = 14 Gage
Aluminum Base = 0.08"
Discharge Apron = 0.064"
Hood = 0.08"
Roof/Wall Opening = 20" SQ.
Damper Size = 19 3/4" SQ.
Max. Motor Frame Size = 145T
Peak BHP = (RPM/986) <sup>3</sup>
Max. RPM = 1326 (2 HP)
Est. Ship Weight = 132 lbs.

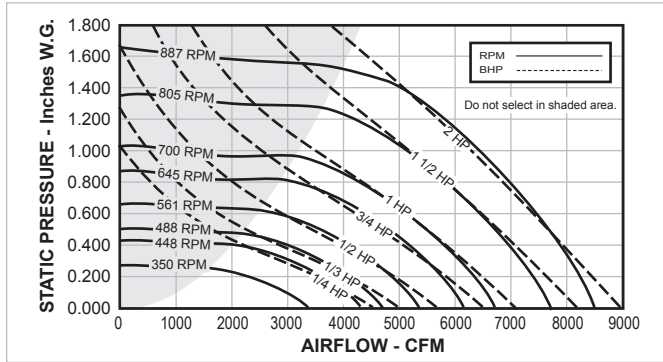


HP	RPM	Tip Speed FPM	0.000" SP		0.125" SP		0.250" SP		0.375" SP		0.500" SP		0.625" SP		0.750" SP		1.000" SP		1.250" SP		1.500" SP	
			Sones	BHP	Sones	BHP	Sones	BHP	Sones	BHP	Sones	BHP	Sones	BHP	Sones	BHP	Sones	BHP	Sones	BHP	Sones	BHP
1/4	375	1988	1975		1402		-		-		-		-		-		-		-		-	
			3.9	0.04	3.6	0.05	-		-		-		-		-		-		-		-	
	549	2910	2892		2531		2138		-		-		-		-		-		-		-	
			8.0	0.14	7.7	0.16	7.1	0.17	-		-		-		-		-		-		-	
1/3	590	3128	3108		2774		2417		1746		-		-		-		-		-		-	
			8.9	0.18	8.5	0.20	7.9	0.21	7.4	0.20	-		-		-		-		-		-	
	635	3366	3345		3037		2711		2291		-		-		-		-		-		-	
			10.1	0.22	9.7	0.24	9.1	0.26	8.3	0.26	-		-		-		-		-		-	
1/2	655	3472	3450		3153		2838		2478		1493		-		-		-		-		-	
			10.4	0.24	10.0	0.26	9.4	0.28	8.7	0.29	8.2	0.24	-		-		-		-		-	
	675	3578	3555		3268		2963		2638		1913		-		-		-		-		-	
			10.7	0.26	10.3	0.29	9.8	0.31	9.1	0.32	8.4	0.30	-		-		-		-		-	
3/4	715	3791	3640		3360		3062		2751		2162		-		-		-		-		-	
			10.9	0.28	10.5	0.31	10.1	0.33	9.3	0.34	8.5	0.34	-		-		-		-		-	
	740	3923	3766		3497		3209		2911		2456		-		-		-		-		-	
			11.4	0.31	11.0	0.34	10.5	0.36	9.8	0.38	9.0	0.37	-		-		-		-		-	
1	770	4082	3898		3639		3361		3075		2712		1852		-		-		-		-	
			12.1	0.35	11.7	0.37	11.2	0.39	10.4	0.41	9.7	0.42	9.1	0.37	-		-		-		-	
	794	4209	4056		3808		3542		3271		2974		2383		-		-		-		-	
			13.1	0.39	12.7	0.42	12.2	0.44	11.5	0.46	10.6	0.48	9.7	0.46	-		-		-		-	
2	825	4374	4182		3943		3685		3424		3150		2684		1604		-		-		-	
			14.2	0.43	13.7	0.46	13.2	0.48	12.5	0.50	11.6	0.52	10.6	0.51	10.3	0.41	-		-		-	
	855	4533	4345		4115		3868		3618		3357		3010		2313		-		-		-	
			15.2	0.48	14.8	0.51	14.2	0.53	13.7	0.56	12.6	0.58	11.6	0.58	10.8	0.54	-		-		-	
1 1/2	885	4692	4662		4447		4220		3987		3750		3504		3107		-		-		-	
			16.3	0.59	15.9	0.63	15.4	0.65	14.9	0.68	14.1	0.70	13.3	0.72	12.3	0.71	-		-		-	
	912	4835	4804		4595		4376		4151		3923		3684		3376		1675		-		-	
			17.1	0.65	16.8	0.68	16.3	0.71	15.8	0.74	15.1	0.76	14.3	0.78	13.4	0.78	12.3	0.59	-		-	
2	930	4930	4899		4694		4480		4259		4036		3803		3536		2206		-		-	
			17.8	0.69	17.4	0.72	17.0	0.75	16.5	0.78	15.9	0.81	15.0	0.83	14.1	0.84	12.8	0.72	-		-	
	965	5116	5083		4886		4682		4469		4255		4034		3806		2875		-		-	
			18.9	0.77	18.7	0.81	18.3	0.84	17.8	0.86	17.3	0.89	16.5	0.92	15.7	0.94	13.8	0.90	-		-	
2	1030	5460	5209		5017		4819		4612		4403		4190		3969		3213		-		-	
			19.9	0.82	19.6	0.87	19.2	0.90	18.7	0.92	18.2	0.95	17.5	0.98	16.7	1.00	14.9	0.99	-		-	
	1065	5646	5425		5241		5053		4853		4653		4451		4240		3671		2215		-	
			21.0	0.93	21.0	0.97	20.0	1.01	19.9	1.04	19.5	1.07	18.9	1.10	18.0	1.12	16.5	1.12	15.5	0.92	-	
2	1100	5832	5610		5431		5251		5058		4885		4671		4470		4006		2984		-	
			22.0	1.03	21.0	1.07	21.0	1.12	21.0	1.14	20.0	1.17	19.5	1.20	18.7	1.23	17.3	1.25	15.9	1.17	-	
	1136	6022	5794		5621		5448		5262		5075		4887		4697		4291		3517		-	
			22.0	1.13	22.0	1.18	22.0	1.23	21.0	1.25	21.0	1.28	20.0	1.31	19.5	1.34	18.1	1.39	16.5	1.36	-	
2	1175	6229	5984		5816		5649		5470		5289		5108		4925		4543		3945		2625	
			23.0	1.25	23.0	1.30	22.0	1.34	22.0	1.34	22.0	1.37	21.0	1.44	21.0	1.47	19.2	1.52	17.7	1.49	16.8	1.29
	1200	6362	6189		6027		5865		5694		5520		5345		5169		4802		4336		3414	
			24.0	1.38	24.0	1.43	24.0	1.48	23.0	1.51	23.0	1.54	22.0	1.57	22.0	1.61	20.0	1.67	19.1	1.67	17.6	1.60
1225	6494	6321		6162		6004		5838		5667		5495		5323		4967		4560		3786		
		25.0	1.47	25.0	1.52	24.0	1.57	24.0	1.61	23.0	1.64	23.0	1.67	23.0	1.71	21.0	1.77	20.0	1.80	18.3	1.77	
1252	6637	6453		6297		6142		5980		5813		5645		5477		5153		4763		4100		
		25.0	1.57	25.0	1.62	25.0	1.67	25.0	1.71	24.0	1.74	24.0	1.77	23.0	1.81	22.0	1.87	21.0	1.93	19.6	1.88	
			6595		6443		6291		6134		5970		5806		5641		5307		4958		4399	
			26.0	1.67	26.0	1.73	26.0	1.78	26.0	1.82	25.0	1.85	25.0	1.88	24.0	1.92	23.0	1.99	22.0	2.05	21.0	2.00

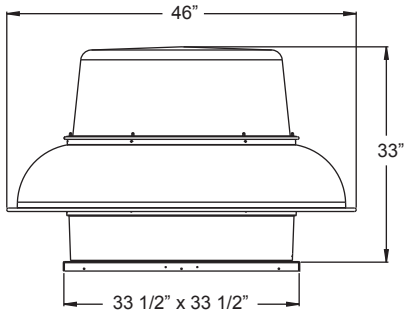
Performance shown is for installation type A: Free Inlet, Free Outlet. Power rating (BHP) does not include transmission losses. For further information on estimating belt drive losses and motor service factors see page 13. The sound ratings shown are for loudness values in fan sones at 5'0" (1.5m) in a hemispherical free field per AMCA Standard 301. Values shown are for installation Type A: free inlet hemispherical sone levels. Performance ratings do not include the effects of appurtenances in the airstream.

©PENNBARRY 2014

### DX24B | BELT DRIVE



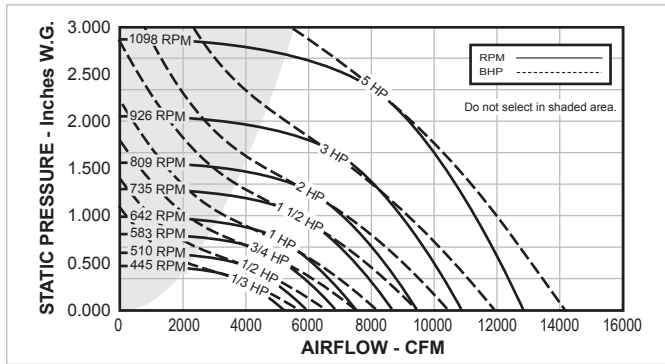
Galv. Steel Base = 14 Gage
Aluminum Base = 0.08"
Discharge Apron = 0.064"
Hood = 0.08"
Roof/Wall Opening = 25" SQ.
Damper Size = 24 3/4" SQ.
Max. Motor Frame Size = 184T
Peak BHP = (RPM/700) <sup>3</sup>
Max. RPM = 1275 (5 HP)
Est. Ship Weight = 183 lbs.



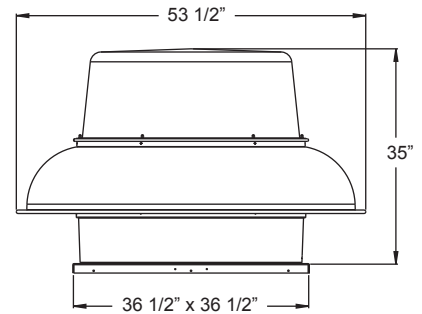
HP	RPM	Tip Speed FPM	0.000" SP		0.125" SP		0.250" SP		0.375" SP		0.500" SP		0.625" SP		0.750" SP		1.000" SP		1.250" SP		1.500" SP	
			Sones	BHP	Sones	BHP	Sones	BHP	Sones	BHP	Sones	BHP	Sones	BHP	Sones	BHP	Sones	BHP	Sones	BHP	Sones	BHP
1/4	265	1719	2547	1450	-	-	-	-	-	-	-	-	-	-	-	-	-	-	-	-	-	-
	399	2589	3835	3315	2531	-	-	-	-	-	-	-	-	-	-	-	-	-	-	-	-	-
			4133	3675	2998	-	-	-	-	-	-	-	-	-	-	-	-	-	-	-	-	-
	430	2790	8.2	0.19	7.6	0.22	6.9	0.23	-	-	-	-	-	-	-	-	-	-	-	-	-	-
1/3	448	2906	4306	3873	3251	2278	-	-	-	-	-	-	-	-	-	-	-	-	-	-	-	-
	460	2984	4421	4003	3407	2534	-	-	-	-	-	-	-	-	-	-	-	-	-	-	-	-
			8.9	0.24	8.2	0.27	7.6	0.28	5.2	0.27	-	-	-	-	-	-	-	-	-	-	-	-
	475	3082	4565	4164	3600	2837	-	-	-	-	-	-	-	-	-	-	-	-	-	-	-	-
1/2	488	3166	9.3	0.26	8.7	0.29	8.0	0.31	6.1	0.30	-	-	-	-	-	-	-	-	-	-	-	-
	520	3374	4690	4303	3766	3087	-	-	-	-	-	-	-	-	-	-	-	-	-	-	-	-
			9.7	0.28	9.1	0.32	8.4	0.34	6.9	0.33	-	-	-	-	-	-	-	-	-	-	-	-
	530	3438	4998	4643	4163	3575	2688	-	-	-	-	-	-	-	-	-	-	-	-	-	-	-
3/4	540	3503	10.6	0.34	10.0	0.38	9.3	0.40	8.4	0.41	5.9	0.38	-	-	-	-	-	-	-	-	-	-
	600	3893	5094	4749	4283	3721	2901	-	-	-	-	-	-	-	-	-	-	-	-	-	-	-
			10.8	0.36	10.2	0.40	9.5	0.42	8.8	0.43	6.5	0.41	-	-	-	-	-	-	-	-	-	-
	625	4055	5392	5075	4650	4142	3517	-	-	-	-	-	-	-	-	-	-	-	-	-	-	-
1	645	4185	11.6	0.43	11.0	0.47	10.4	0.49	9.6	0.51	8.2	0.50	5.9	0.38	-	-	-	-	-	-	-	-
	663	4301	5767	5473	5104	4642	4122	3399	-	-	-	-	-	-	-	-	-	-	-	-	-	-
			13.1	0.52	12.6	0.57	11.9	0.59	11.2	0.62	10.3	0.62	8.2	0.59	-	-	-	-	-	-	-	-
	675	4379	6007	5726	5384	4955	4484	3890	2988	-	-	-	-	-	-	-	-	-	-	-	-	-
1 1/2	685	4444	14.3	0.59	13.7	0.64	13.0	0.67	12.3	0.70	11.6	0.71	9.9	0.69	8.2	0.64	-	-	-	-	-	-
	700	4541	6200	5926	5601	5196	4747	4226	3466	-	-	-	-	-	-	-	-	-	-	-	-	-
			14.5	0.65	14.0	0.71	13.4	0.73	12.6	0.76	11.9	0.78	10.8	0.76	8.8	0.73	-	-	-	-	-	-
	750	4866	6373	6107	5795	5411	4980	4493	3838	-	-	-	-	-	-	-	-	-	-	-	-	-
2	775	5028	14.7	0.71	14.2	0.76	13.7	0.79	13.0	0.82	12.3	0.85	11.4	0.84	9.7	0.80	-	-	-	-	-	-
	820	5320	6488	6227	5924	5553	5134	4669	4075	-	-	-	-	-	-	-	-	-	-	-	-	-
			15.0	0.75	14.5	0.80	13.9	0.84	13.1	0.86	12.6	0.89	11.8	0.89	10.3	0.86	-	-	-	-	-	-
	850	5515	6584	6327	6031	5671	5261	4815	4268	-	-	-	-	-	-	-	-	-	-	-	-	-
2	870	5644	15.2	0.78	14.7	0.84	14.1	0.87	13.5	0.90	12.8	0.93	12.1	0.93	10.8	0.90	-	-	-	-	-	-
	887	5755	6728	6477	6191	5847	5450	5031	4531	-	-	-	-	-	-	-	-	-	-	-	-	-
			15.5	0.83	15.0	0.89	14.5	0.93	13.9	0.96	13.3	0.99	12.6	1.00	11.5	0.97	-	-	-	-	-	-
	750	4866	7449	7222	6984	6697	6360	5998	5619	4113	-	-	-	-	-	-	-	-	-	-	-	-
2	775	5028	17.0	1.02	16.6	1.09	16.1	1.14	15.5	1.16	14.9	1.20	14.3	1.22	13.7	1.22	11.1	1.15	-	-	-	-
	790	5125	7449	7222	6984	6697	6360	5998	5619	4113	-	-	-	-	-	-	-	-	-	-	-	-
			17.9	1.13	17.5	1.19	17.1	1.25	16.5	1.27	16.0	1.31	15.4	1.34	14.8	1.36	12.4	1.30	-	-	-	-
	805	5223	7593	7370	7141	6860	6537	6186	5815	4910	-	-	-	-	-	-	-	-	-	-	-	-
2	820	5320	18.6	1.20	18.2	1.26	17.7	1.32	17.2	1.34	16.6	1.38	16.0	1.42	15.5	1.43	13.4	1.39	-	-	-	-
	850	5515	7738	7519	7298	7022	6713	6374	6009	5182	3788	-	-	-	-	-	-	-	-	-	-	-
			19.1	1.27	18.6	1.33	18.1	1.40	17.6	1.42	17.0	1.45	16.5	1.50	15.9	1.51	14.1	1.48	12.0	1.35	-	-
	870	5644	7882	7667	7452	7183	6888	6556	6202	5407	4203	-	-	-	-	-	-	-	-	-	-	-
2	887	5755	19.2	1.34	18.8	1.41	18.3	1.48	17.8	1.50	17.3	1.53	16.7	1.58	16.1	1.60	14.6	1.57	12.3	1.48	-	-
	887	5755	8170	7963	7756	7505	7235	6915	6583	5851	4836	-	-	-	-	-	-	-	-	-	-	-
			19.6	1.49	19.2	1.56	18.8	1.63	18.3	1.66	17.8	1.69	17.2	1.74	16.7	1.77	15.5	1.77	13.5	1.69	-	-
	887	5755	8362	8160	7957	7718	7462	7152	6834	6142	5234	-	-	-	-	-	-	-	-	-	-	-
2	5755	5755	20.0	1.60	20.0	1.67	19.5	1.74	19.0	1.78	18.5	1.80	17.9	1.85	17.4	1.89	16.3	1.91	14.3	1.84	-	-
			21.0	1.69	21.0	1.77	20.0	1.84	19.7	1.89	19.2	1.91	18.6	1.95	18.1	2.00	17.0	2.04	15.3	1.97	13.9	1.83

Performance shown is for installation type A: Free Inlet, Free Outlet. Power rating (BHP) does not include transmission losses. For further information on estimating belt drive losses and motor service factors see page 13. The sound ratings shown are for loudness values in fan sones at 5'0" (1.5m) in a hemispherical free field per AMCA Standard 301. Values shown are for installation Type A: free inlet hemispherical sone levels. Performance ratings do not include the effects of appurtenances in the airstream.

DX27B | BELT DRIVE



Galv. Steel Base = 14 Gage
Aluminum Base = 0.102"
Discharge Apron = 0.08"
Hood = 0.08"
Roof/Wall Opening = 28" SQ.
Damper Size = 27 3/4" SQ.
Max. Motor Frame Size = 184T
Peak BHP = (RPM/642) <sup>3</sup>
Max. RPM = 1210 (5 HP)
Est. Ship Weight = 210 lbs.

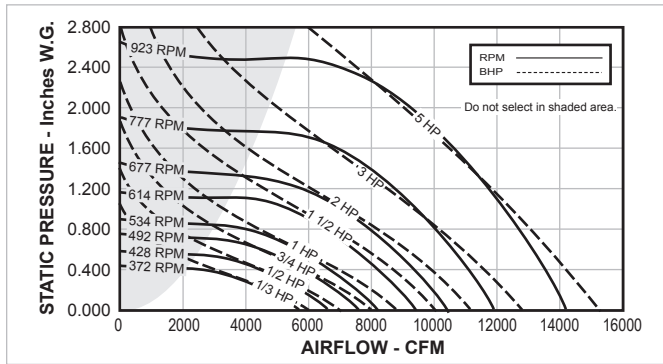


HP	RPM	Tip Speed FPM	0.125" SP		0.250" SP		0.375" SP		0.500" SP		0.750" SP		1.000" SP		1.250" SP		1.500" SP		2.000" SP	
			Sones	BHP	Sones	BHP	Sones	BHP	Sones	BHP	Sones	BHP	Sones	BHP	Sones	BHP	Sones	BHP	Sones	BHP
1/3	445	3234	4748	-	4165	-	3314	-	-	-	-	-	-	-	-	-	-	-	-	-
			8.1	0.29	7.3	0.32	6.8	0.33	-	-	-	-	-	-	-	-	-	-	-	-
1/2	475	3451	5124	-	4604	-	3947	-	-	-	-	-	-	-	-	-	-	-	-	-
			9.2	0.34	8.4	0.38	7.7	0.40	-	-	-	-	-	-	-	-	-	-	-	-
1/2	510	3703	5557	-	5102	-	4545	-	3731	-	-	-	-	-	-	-	-	-	-	-
			10.3	0.42	9.5	0.46	8.8	0.46	8.4	0.50	-	-	-	-	-	-	-	-	-	-
3/4	530	3850	5808	-	5386	-	4866	-	4180	-	-	-	-	-	-	-	-	-	-	-
			10.9	0.47	10.2	0.51	9.5	0.54	9.0	0.56	-	-	-	-	-	-	-	-	-	-
3/4	560	4068	6178	-	5801	-	5321	-	4773	-	-	-	-	-	-	-	-	-	-	-
			12.1	0.55	11.4	0.59	10.6	0.63	10.0	0.66	-	-	-	-	-	-	-	-	-	-
3/4	583	4239	6466	-	6121	-	5664	-	5166	-	-	-	-	-	-	-	-	-	-	-
			13.3	0.62	12.5	0.66	11.6	0.70	10.9	0.73	-	-	-	-	-	-	-	-	-	-
1	600	4359	6670	-	6345	-	5915	-	5430	-	3890	-	-	-	-	-	-	-	-	-
			13.8	0.67	13.1	0.71	12.2	0.76	11.4	0.79	10.8	0.79	-	-	-	-	-	-	-	-
1	620	4504	6912	-	6593	-	6188	-	5744	-	4473	-	-	-	-	-	-	-	-	-
			14.4	0.73	13.9	0.78	13.0	0.83	12.1	0.87	11.3	0.90	-	-	-	-	-	-	-	-
1	642	4666	7182	-	6875	-	6501	-	6079	-	4967	-	-	-	-	-	-	-	-	-
			15.0	0.81	14.5	0.86	13.8	0.91	12.9	0.95	11.9	1.00	-	-	-	-	-	-	-	-
1 1/2	660	4795	7398	-	7099	-	6748	-	6340	-	5356	-	-	-	-	-	-	-	-	-
			15.4	0.87	15.0	0.93	14.3	0.98	13.5	1.02	12.4	1.09	-	-	-	-	-	-	-	-
1 1/2	685	4976	7701	-	7412	-	7093	-	6702	-	5830	-	4186	-	-	-	-	-	-	-
			16.2	0.97	15.9	1.03	15.3	1.08	14.5	1.13	13.1	1.20	13.1	1.15	-	-	-	-	-	-
1 1/2	710	5158	8003	-	7724	-	7434	-	7061	-	6253	-	5029	-	-	-	-	-	-	-
			17.2	1.08	16.9	1.14	16.4	1.19	15.7	1.24	14.2	1.33	13.7	1.21	-	-	-	-	-	-
1 1/2	735	5341	8306	-	8036	-	7775	-	7417	-	6654	-	5594	-	-	-	-	-	-	-
			18.3	1.19	18.1	1.25	17.7	1.31	17.0	1.37	15.6	1.46	14.7	1.50	-	-	-	-	-	-
2	750	5449	8484	-	8220	-	7975	-	7624	-	6888	-	5921	-	-	-	-	-	-	-
			18.9	1.26	18.7	1.33	18.4	1.38	17.7	1.44	16.3	1.54	15.2	1.64	-	-	-	-	-	-
2	770	5594	8724	-	8467	-	8210	-	7901	-	7201	-	6339	-	4824	-	-	-	-	-
			19.7	1.36	19.5	1.43	19.0	1.49	18.5	1.55	17.2	1.65	15.9	1.72	15.8	1.65	-	-	-	-
2	790	5739	8964	-	8713	-	8463	-	8177	-	7497	-	6714	-	5514	-	-	-	-	-
			20.0	1.47	20.0	1.54	19.9	1.60	19.4	1.66	18.0	1.77	16.7	1.85	16.3	1.99	-	-	-	-
2	809	5877	9192	-	8947	-	8702	-	8437	-	7775	-	7046	-	5967	-	-	-	-	-
			21.0	1.57	21.0	1.64	20.0	1.71	20.0	1.77	18.7	1.88	17.4	1.97	16.9	1.99	-	-	-	-
3	840	6102	9562	-	9326	-	9091	-	8856	-	8224	-	7543	-	6652	-	5163	-	-	-
			22.0	1.75	22.0	1.83	22.0	1.90	21.0	1.96	20.0	2.08	18.9	2.18	17.9	2.24	18.1	2.13	-	-
3	870	6320	9920	-	9692	-	9465	-	9238	-	8654	-	8016	-	7259	-	6171	-	-	-
			24.0	1.94	23.0	2.02	23.0	2.09	23.0	2.16	22.0	2.29	21.0	2.40	19.0	2.47	19.0	2.49	-	-
3	900	6538	10278	-	10057	-	9838	-	9618	-	9078	-	8476	-	7805	-	6843	-	-	-
			25.0	2.15	25.0	2.23	25.0	2.30	24.0	2.37	24.0	2.51	22.0	2.63	21.0	2.72	20.0	2.75	-	-
3	926	6727	10587	-	10373	-	10159	-	9946	-	9441	-	8858	-	8224	-	7414	-	-	-
			27.0	2.33	27.0	2.42	26.0	2.49	26.0	2.56	25.0	2.71	24.0	2.84	23.0	2.93	21.0	2.99	-	-
5	960	6974	10992	-	10785	-	10579	-	10373	-	9910	-	9353	-	8763	-	8082	-	5611	-
			29.0	2.59	29.0	2.68	28.0	2.76	28.0	2.84	27.0	2.98	26.0	3.12	25.0	3.24	23.0	3.27	23.0	3.14
5	1000	7265	11467	-	11268	-	11078	-	10872	-	10458	-	9927	-	9385	-	8778	-	7000	-
			31.0	2.92	30.0	3.02	30.0	3.10	30.0	3.18	29.0	3.33	28.0	3.48	27.0	3.62	25.0	3.71	24.0	3.75
5	1040	7555	11941	-	11750	-	11559	-	11369	-	10889	-	10493	-	9973	-	9416	-	7919	-
			32.0	3.28	31.0	3.38	31.0	3.47	31.0	3.55	30.0	3.71	29.0	3.87	28.0	4.01	27.0	4.13	25.0	4.24
5	1098	7977	12627	-	12447	-	12266	-	12086	-	11726	-	11299	-	10812	-	10318	-	9135	-
			34.0	3.84	34.0	3.95	34.0	4.05	33.0	4.14	33.0	4.61	32.0	4.48	31.0	4.63	30.0	4.78	27.0	4.98

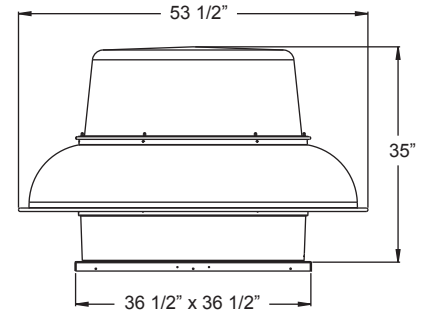
Performance shown is for installation type A: Free Inlet, Free Outlet. Power rating (BHP) does not include transmission losses. For further information on estimating belt drive losses and motor service factors see page 13. The sound ratings shown are for loudness values in fan sones at 5'0" (1.5m) in a hemispherical free field per AMCA Standard 301. Values shown are for installation Type A: free inlet hemispherical sone levels. Performance ratings do not include the effects of appurtenances in the airstream.

©PENNBARRY 2014

**DX30B | BELT DRIVE**



- Galv. Steel Base = 14 Gage
- Aluminum Base = 0.102"
- Discharge Apron = 0.08"
- Hood = 0.08"
- Roof Opening = 28" SQ.
- Damper Size = 27 3/4" SQ.
- Max. Motor Frame Size = 184T
- Peak BHP = (RPM/534)<sup>3</sup>
- Max. RPM = 999 (5 HP)
- Est. Ship Weight = 210 lbs.



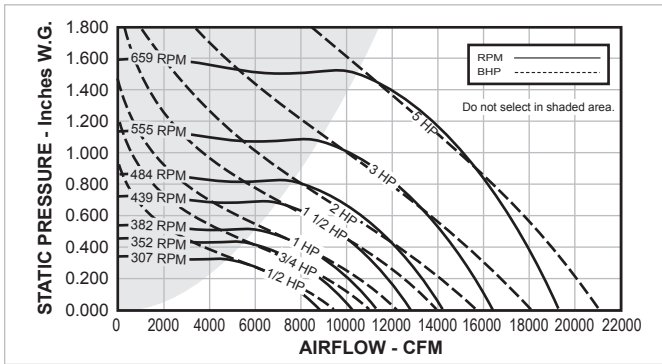
HP	RPM	Tip Speed FPM	0.000" SP		0.125" SP		0.250" SP		0.375" SP		0.500" SP		0.625" SP		0.750" SP		1.000" SP		1.250" SP		1.500" SP			
			Sones	BHP	Sones	BHP	Sones	BHP	Sones	BHP	Sones	BHP	Sones	BHP	Sones	BHP	Sones	BHP	Sones	BHP	Sones	BHP		
1/3	225	1804	3480		2165		-		-		-		-		-		-		-		-			
			2.9	0.06	2.0	0.07	-		-		-		-		-		-		-		-			
	300	2405	4640		3849		2423		-		-		-		-		-		-		-			
5.8			0.14	5.1	0.17	4.3	0.17	-		-		-		-		-		-		-				
1/2	372	2983	5753		5164		4386		3184		-		-		-		-		-		-			
			8.7	0.27	8.0	0.30	7.4	0.33	6.6		0.32		-		-		-		-		-			
	405	3247	6264		5732		5073		4186		-		-		-		-		-		-			
9.7			0.35	8.9	0.38	8.2	0.42	7.5		0.43		-		-		-		-		-				
3/4	428	3432	6619		6120		5514		4747		3627		-		-		-		-		-			
			10.4	0.41	9.7	0.45	9.0	0.49	8.3		0.51		7.4		0.49		-		-		-			
	460	3688	7114		6653		6114		5468		4618		-		-		-		-		-			
11.7			0.51	10.8	0.55	10.0	0.59	9.3		0.63		8.5		0.63		-		-		-				
1	480	3848	7424		6985		6478		5897		5147		4103		-		-		-		-			
			12.6	0.57	11.5	0.62	10.5	0.66	9.9		0.71		9.0		0.72		8.4		0.70		-			
	492	3945	7609		7183		6695		6136		5430		4490		-		-		-		-			
13.1			0.62	12.1	0.67	11.0	0.71	10.3		0.76		9.4		0.78		8.7		0.76		-				
1 1/2	520	4169	8042		7642		7195		6674		6071		5324		4225		-		-		-			
			14.1	0.73	13.3	0.79	12.4	0.83	11.6		0.87		10.8		0.91		9.9		0.92		8.9		0.87	
	534	4281	8259		7871		7443		6939		6375		5691		4760		-		-		-			
14.7			0.79	13.9	0.85	13.2	0.89	12.4		0.94		11.6		0.98		10.6		1.00		9.5		0.97		
2	560	4490	8661		8295		7890		7427		6927		6303		5559		-		-		-			
			15.4	0.91	14.8	0.98	14.2	1.02	13.4		1.06		12.7		1.12		11.8		1.14		10.7		1.14	
	580	4650	8971		8617		8229		7792		7315		6757		6115		-		-		-			
16.1			1.01	15.5	1.08	14.9	1.13	14.2		1.17		13.5		1.23		12.7		1.26		11.7		1.28		
3	600	4811	9280		8938		8566		8153		7698		7192		6590		4847		-		-			
			16.8	1.12	16.2	1.19	15.6	1.24	15.0		1.29		14.3		1.34		13.5		1.39		12.5		1.41	
	614	4923	9496		9162		8801		8405		7964		7493		6917		5412		-		-			
17.4			1.20	16.9	1.27	16.2	1.32	15.6		1.37		14.9		1.43		14.2		1.49		13.2		1.50		
4	640	5131	9899		9578		9234		8868		8452		8015		7504		6230		-		-			
			18.4	1.36	17.9	1.44	17.3	1.49	16.8		1.54		16.1		1.59		15.3		1.66		14.5		1.69	
	660	5292	10208		9897		9567		9222		8820		8400		7937		6798		4544		-		-	
19.1			1.49	18.6	1.57	18.1	1.63	17.6		1.68		17.0		1.73		16.2		1.80		15.4		1.85		
5	677	5428	10471		10168		9848		9513		9129		8724		8302		7235		5744		-		-	
			19.5	1.61	19.0	1.69	18.6	1.75	18.2		1.80		17.7		1.86		16.9		1.92		16.1		1.99	
	710	5693	10981		10692		10392		10073		9723		9346		8952		8011		6801		-		-	
20.0			1.86	19.9	1.94	19.5	2.01	19.1		2.06		18.7		2.12		18.1		2.18		17.3		2.26		
6	735	5893	11368		11089		10802		10494		10169		9808		9431		8577		7519		5947		-	
			21.0	2.06	21.0	2.15	20.0	2.22	20.0		2.28		19.6		2.33		19.1		2.39		18.3		2.47	
	760	6093	11755		11485		11210		10912		10611		10263		9905		9120		8163		6886		-	
22.0			2.28	22.0	2.37	21.0	2.45	21.0		2.51		21.0		2.56		20.0		2.63		19.4		2.70		
7	777	6230	12018		11754		11488		11196		10905		10569		10224		9485		8564		7426		-	
			23.0	2.44	22.0	2.53	22.0	2.61	22.0		2.67		21.0		2.73		21.0		2.79		20.0		2.86	
	815	6534	12605		12354		12102		11827		11549		11249		10924		10244		9441		8513		-	
24.0			2.81	24.0	2.91	23.0	3.00	23.0		3.06		23.0		3.12		23.0		3.19		22.0		3.25		
8	845	6775	13069		12827		12584		12323		12055		11781		11467		10819		10095		9237		-	
			25.0	3.14	25.0	3.23	25.0	3.33	25.0		3.40		25.0		3.46		24.0		3.53		24.0		3.60	
	875	7015	13533		13299		13065		12817		12558		12299		12006		11389		10739		9937		-	
26.0			3.48	26.0	3.58	26.0	3.68	26.0		3.76		26.0		3.83		26.0		3.89		26.0		3.96		
9	905	7256	13997		13771		13544		13308		13058		12808		12540		11952		11333		10610		-	
			28.0	3.85	28.0	3.96	28.0	4.06	27.0		4.15		27.0		4.22		27.0		4.28		27.0		4.35	
	923	7400	14276		14054		13831		13603		13357		13112		12859		12284		11680		11001		-	
29.0			4.09	29.0	4.19	29.0	4.30	28.0		4.39		28.0		4.46		28.0		4.53		28.0		4.60		

Performance shown is for installation type A: Free Inlet, Free Outlet. Power rating (BHP) does not include transmission losses. For further information on estimating belt drive losses and motor service factors see page 13. The sound ratings shown are for loudness values in fan sones at 5'0" (1.5m) in a hemispherical free field per AMCA Standard 301. Values shown are for installation Type A: free inlet hemispherical sone levels. Performance ratings do not include the effects of appurtenances in the airstream.

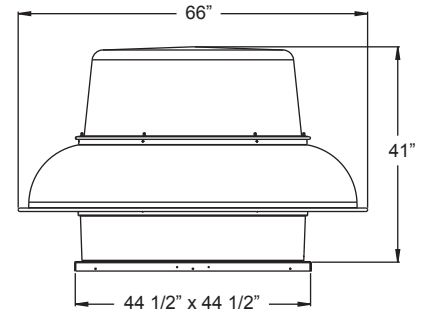
©PENNBARRY 2014



DX36B | BELT DRIVE



Galv. Steel Base = 12 Gage
Aluminum Base = 0.102"
Discharge Apron = 0.08"
Hood = 0.08"
Roof Opening = 36" SQ.
Damper Size = 35 1/2" SQ.
Max. Motor Frame Size = 213T
Peak BHP = (RPM/381) <sup>3</sup>
Max. RPM = 810 (7 1/2 HP)
Est. Ship Weight = 420 lbs.

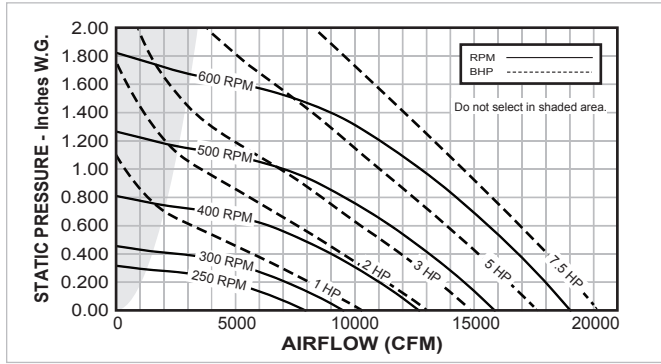


HP	RPM	Tip Speed FPM	0.000" SP		0.125" SP		0.250" SP		0.375" SP		0.500" SP		0.625" SP		0.750" SP		1.000" SP		1.250" SP		1.500" SP			
			Sones	BHP	Sones	BHP	Sones	BHP	Sones	BHP	Sones	BHP	Sones	BHP	Sones	BHP	Sones	BHP	Sones	BHP	Sones	BHP		
1/2	215	2093	6343		4855		-		-		-		-		-		-		-		-			
			3.9	0.13	3.7	0.18	-		-		-		-		-		-		-		-			
	261	2541	7700		6555		4707		-		-		-		-		-		-		-		-	
5.9			0.24	5.6	0.30	5.6	0.31	-		-		-		-		-		-		-		-		
3/4	325	3164	9588		8714		7701		6101		-		-		-		-		-		-		-	
			9.0	0.46	8.6	0.53	8.3	0.60	7.9	0.61	-		-		-		-		-		-		-	
	340	3310	10031		9216		8248		6922		-		-		-		-		-		-		-	
9.9			0.53	9.4	0.59	8.9	0.68	8.5	0.71	-		-		-		-		-		-		-		
1	365	3553	10385		9613		8675		7497		-		-		-		-		-		-		-	
			10.6	0.58	10.2	0.65	9.5	0.74	9.1	0.79	-		-		-		-		-		-		-	
	375	3651	10768		10037		9130		8086		6338		-		-		-		-		-		-	
11.4			0.65	11.1	0.72	10.2	0.82	9.7	0.87	9.3	0.85	-		-		-		-		-		-		
1 1/2	400	3894	11063		10362		9469		8523		7027		-		-		-		-		-		-	
			12.0	0.71	11.6	0.78	10.8	0.88	10.1	0.94	9.6	0.93	-		-		-		-		-		-	
	415	4040	11270		10589		9705		8809		7438		-		-		-		-		-		-	
12.4			0.75	12.1	0.82	11.3	0.92	10.6	0.99	9.9	1.00	-		-		-		-		-		-		
2	455	4430	10385		9613		8675		7497		-		-		-		-		-		-		-	
			10.6	0.58	10.2	0.65	9.5	0.74	9.1	0.79	-		-		-		-		-		-		-	
	470	4576	10768		10037		9130		8086		6338		-		-		-		-		-		-	
11.4			0.65	11.1	0.72	10.2	0.82	9.7	0.87	9.3	0.85	-		-		-		-		-		-		
3	505	4916	11063		10362		9469		8523		7027		-		-		-		-		-		-	
			12.0	0.71	11.6	0.78	10.8	0.88	10.1	0.94	9.6	0.93	-		-		-		-		-		-	
	525	5111	11270		10589		9705		8809		7438		-		-		-		-		-		-	
12.4			0.75	12.1	0.82	11.3	0.92	10.6	0.99	9.9	1.00	-		-		-		-		-		-		
5	575	5598	12951		12397		11627		10904		10089		8939		-		-		-		-		-	
			16.1	1.13	16.1	1.23	15.4	1.33	14.7	1.43	14.0	1.50	13.1	1.53	-		-		-		-		-	
	595	5793	13423		12896		12168		11453		10719		9706		8341		-		-		-		-	
17.0			1.26	17.0	1.36	16.5	1.46	15.7	1.57	15.0	1.65	14.3	1.71	13.2	1.66	-		-		-		-		
659	615	5987	13866		13364		12671		11959		11271		10386		9229		-		-		-		-	
			17.9	1.39	17.9	1.50	17.5	1.58	16.8	1.71	16.0	1.80	15.4	1.87	14.5	1.86	-		-		-		-	
	630	6133	14279		13798		13139		12432		11778		10998		9945		-		-		-		-	
18.8			1.52	18.8	1.63	18.6	1.71	18.0	1.85	17.2	1.95	16.5	2.02	15.8	2.06	-		-		-		-		
645	6279	14899		14449		13830		13143		12523		11839		10942		-		-		-		-		
		21.0	1.72	21.0	1.85	21.0	1.92	20.0	2.07	19.4	2.18	18.6	2.26	17.9	2.34	-		-		-		-		
659	6416	6416	15489		15061		14481		13814		13212		12584		11822		9607		-		-		-	
			22.0	1.94	22.0	2.07	22.0	2.14	21.0	2.29	20.0	2.42	19.6	2.51	19.0	2.58	17.1	2.55	-		-		-	
	645	6279	15931		15515		14968		14319		13718		13128		12449		10507		-		-		-	
22.0			2.11	22.0	2.24	22.0	2.32	22.0	2.46	21.0	2.60	20.0	2.71	19.6	2.78	18.0	2.81	-		-		-		
659	6416	16374		15969		15452		14826		14223		13662		13039		11292		-		-		-		
		23.0	2.29	23.0	2.43	23.0	2.50	22.0	2.65	22.0	2.80	21.0	2.91	20.0	3.00	18.9	3.09	-		-		-		
659	6416	16964		16573		16091		15498		14902		14364		13781		12252		9844		-		-		
		24.0	2.55	24.0	2.69	24.0	2.77	23.0	2.90	23.0	3.07	22.0	3.20	21.0	3.30	20.0	3.45	18.5	3.30	-		-		
659	6416	17554		17177		16721		16166		15575		15043		14505		13160		11240		-		-		
		25.0	2.82	25.0	2.97	25.0	3.06	25.0	3.17	24.0	3.36	24.0	3.36	24.0	3.62	22.0	3.79	19.8	3.74	-		-		
659	6416	18144		17779		17349		16824		16245		15715		15214		14033		12346		-		-		
		27.0	3.12	27.0	3.27	27.0	3.37	26.0	3.48	26.0	3.66	25.0	3.82	25.0	3.95	23.0	4.13	22.0	4.19	-		-		
659	6416	18586		18230		17818		17314		16753		16225		15740		14630		13087		10793		-		
		28.0	3.35	28.0	3.51	28.0	3.62	28.0	3.72	27.0	3.90	27.0	4.07	26.0	4.21	24.0	4.41	23.0	4.53	21.0	4.34	-		
659	6416	19029		18681		18286		17801		17260		16733		16249		15218		13799		11892		-		
		29.0	3.59	29.0	3.75	29.0	3.87	28.0	3.97	28.0	4.14	27.0	4.32	27.0	4.48	25.0	4.69	24.0	4.87	22.0	4.74	-		
659	6416	19442		19101		18722		18255		17730		17205		16722		15732		14438		12737		-		
		29.0	3.83	29.0	4.00	29.0	4.13	29.0	4.22	28.0	4.38	28.0	4.57	27.0	4.74	26.0	4.97	24.0	5.17	23.0	5.10	-		

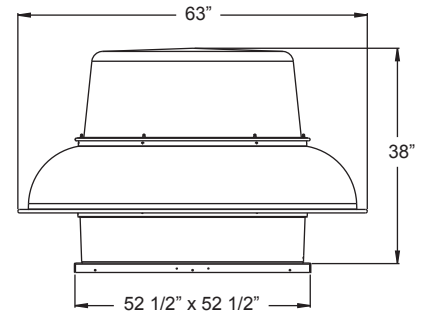
Performance shown is for installation type A: Free Inlet, Free Outlet. Power rating (BHP) does not include transmission losses. For further information on estimating belt drive losses and motor service factors see page 13. The sound ratings shown are for loudness values in fan sones at 5'0" (1.5m) in a hemispherical free field per AMCA Standard 301. Values shown are for installation Type A: free inlet hemispherical sone levels. Performance ratings do not include the effects of appurtenances in the airstream.

©PENNBARRY 2014

**KB420 | BELT DRIVE**



Galv. Steel Base = N/A
Aluminum Base = 0.125"
Discharge Apron = 0.09"
Hood = 0.08"
Roof Opening = 44" SQ.
Damper Size = 43 1/2" SQ.
Max. Motor Frame Size = 213T
Peak BHP = (RPM/315) <sup>3</sup>
Max. RPM = 600 (7 1/2 HP)
Est. Ship Weight = 600 lbs.

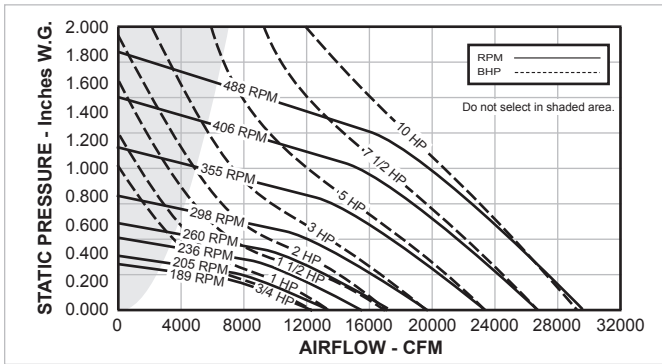


HP	RPM	Tip Speed FPM	0.000"		0.125"		0.250"		0.375"		0.500"		0.625"		0.750"		1.000"		1.250"		1.500"			
			Sones	BHP	Sones	BHP	Sones	BHP	Sones	BHP	Sones	BHP	Sones	BHP	Sones	BHP	Sones	BHP	Sones	BHP	Sones	BHP	Sones	BHP
3/4	240	2748	7613	0.401	5746	0.402	2471	-	-	-	-	-	-	-	-	-	-	-	-	-	-	-	-	
	260	2977	8248	0.510	6568	0.516	4237	-	-	-	-	-	-	-	-	-	-	-	-	-	-	-	-	
			8977	0.657	7467	0.665	5526	-	-	-	-	-	-	-	-	-	-	-	-	-	-	-	-	-
	1	283	3240	8248	0.657	6568	0.665	4237	-	-	-	-	-	-	-	-	-	-	-	-	-	-	-	-
295		3377	9358	0.745	7926	0.754	6131	3166	-	-	-	-	-	-	-	-	-	-	-	-	-	-	-	
			9517	0.783	8116	0.793	6371	3713	-	-	-	-	-	-	-	-	-	-	-	-	-	-	-	-
1 1/2	300	3435	8248	0.783	6568	0.793	4237	8.0	0.626	-	-	-	-	-	-	-	-	-	-	-	-	-	-	
	308	3526	9770	0.848	8414	0.858	6748	4432	-	-	-	-	-	-	-	-	-	-	-	-	-	-	-	
			10468	1.042	9213	1.053	7728	5878	2008	-	-	-	-	-	-	-	-	-	-	-	-	-	-	-
2	330	3778	9.8	1.042	9.6	1.053	9.2	1.041	8.8	0.968	8.6	0.642	-	-	-	-	-	-	-	-	-	-	-	
	345	3950	10944	1.191	9752	1.203	8361	6685	4146	-	-	-	-	-	-	-	-	-	-	-	-	-	-	-
			11230	1.287	10072	1.299	8735	7151	4987	-	-	-	-	-	-	-	-	-	-	-	-	-	-	-
3	354	4053	10.4	1.287	10.2	1.299	9.7	1.299	9.0	1.242	8.8	1.086	-	-	-	-	-	-	-	-	-	-	-	
	365	4179	11579	1.411	10462	1.423	9181	7687	5830	-	-	-	-	-	-	-	-	-	-	-	-	-	-	-
			12054	1.592	10989	1.604	9773	8395	6725	3977	-	-	-	-	-	-	-	-	-	-	-	-	-	-
4	380	4350	11.4	1.592	11.1	1.604	10.7	1.610	10	1.570	9.4	1.475	9.4	1.192	-	-	-	-	-	-	-	-	-	
	390	4465	12372	1.721	11339	1.734	10164	8857	7279	5063	-	-	-	-	-	-	-	-	-	-	-	-	-	
			11.9	1.721	11.5	1.734	11.1	1.741	10.5	1.708	9.7	1.623	9.7	1.403	-	-	-	-	-	-	-	-	-	-
5	420	4808	13.323	2.149	12379	2.164	11316	10134	8806	7232	4822	-	-	-	-	-	-	-	-	-	-	-	-	
	430	4923	13640	2.306	12718	2.321	11694	10551	9281	7818	5821	-	-	-	-	-	-	-	-	-	-	-	-	
			13.7	2.306	13.3	2.321	12.8	2.334	12.3	2.325	11.7	2.262	11.2	2.159	11.2	1.914	-	-	-	-	-	-	-	-
7 1/2	440	5037	13.958	2.471	13056	2.486	12061	10964	9751	8347	6613	-	-	-	-	-	-	-	-	-	-	-	-	
	447	5117	14.1	2.471	13.7	2.486	13.3	2.499	12.8	2.499	12.2	2.438	11.5	2.342	11.5	2.144	-	-	-	-	-	-	-	-
			14.4	2.591	14	2.606	13.5	2.620	13	2.620	12.6	2.567	11.8	2.475	11.8	2.308	-	-	-	-	-	-	-	-
7 1/2	460	5266	14.592	2.824	13730	2.839	12788	11757	10643	9384	7917	-	-	-	-	-	-	-	-	-	-	-	-	
	480	5495	15	2.824	14.6	2.839	14.1	2.853	13.5	2.856	13.1	2.812	12.5	2.734	12.2	2.588	-	-	-	-	-	-	-	-
			15.227	3.208	14400	3.225	13508	3.240	12539	11493	10341	9039	4943	-	-	-	-	-	-	-	-	-	-	-
7 1/2	500	5724	15.861	3.626	15068	3.659	14222	13310	12327	11276	10080	-	-	-	-	-	-	-	-	-	-	-	-	
	520	5953	16.5	3.626	16	3.643	15.4	3.659	14.8	3.669	14.3	3.659	14	3.593	13.5	3.499	13.3	3.052	-	-	-	-	-	-
			16.495	4.079	15733	4.097	14929	4.113	14072	13135	12144	11052	8475	2897	-	-	-	-	-	-	-	-	-	-
7 1/2	532	6091	17.3	4.368	16130	4.386	15352	14519	13609	12653	11620	9192	4913	-	-	-	-	-	-	-	-	-	-	
	555	6354	17.7	4.368	17.1	4.386	16.4	4.403	15.7	4.419	14.9	4.418	14.7	4.375	14.4	4.295	14.1	4.009	14.1	3.124	-	-	-	-
			17.606	4.959	16891	4.978	16156	5.013	15358	14508	13616	12675	10477	7502	-	-	-	-	-	-	-	-	-	-
7 1/2	570	6526	18.5	4.959	17.8	4.978	17.1	4.996	16.2	5.013	15.2	5.017	14.9	4.999	14.8	4.927	14.5	4.693	14.5	4.113	-	-	-	-
	585	6697	18.082	5.372	17386	5.392	16678	15901	15087	14233	13318	11260	8691	3231	-	-	-	-	-	-	-	-	-	-
			18.9	5.372	18.2	5.392	17.4	5.411	16.5	5.428	15.4	5.435	14.9	5.433	14.8	5.361	14.7	5.152	14.7	4.691	14.7	3.229	-	-
7 1/2	599	6858	18557	5.807	17879	5.827	17198	16441	15662	14829	13954	12022	9693	5676	-	-	-	-	-	-	-	-	-	-
			19.6	5.807	18.9	5.827	18.1	5.847	17.1	5.865	16.1	5.877	15.2	5.874	15.2	5.820	15.2	5.633	15.2	5.246	15.2	4.227	-	-
7 1/2	599	6858	19001	6.234	18339	6.255	17677	16942	16194	15381	14542	12693	10526	7325	-	-	-	-	-	-	-	-	-	-
			20.3	6.234	19.6	6.255	18.8	6.276	17.9	6.294	16.9	6.309	15.9	6.307	15.9	6.271	15.9	6.089	15.9	5.760	15.9	4.961	-	-

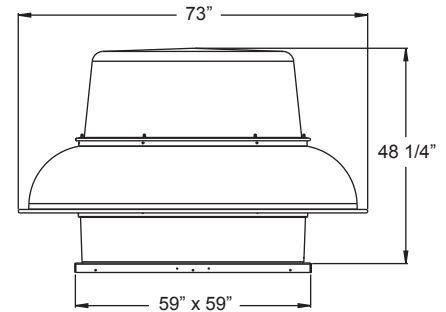
Performance shown is for installation type A: Free Inlet, Free Outlet. Power rating (BHP) does not include transmission losses. For further information on estimating belt drive losses and motor service factors see page 13. The sound ratings shown are for loudness values in fan sones at 50' (1.5m) in a hemispherical free field per AMCA Standard 301. Values shown are for installation Type A: free inlet hemispherical sone levels. Performance ratings do not include the effects of appurtenances in the airstream.

©PENNBARRY 2014

JB48 | BELT DRIVE



- Galv. Steel Base = N/A
- Aluminum Base = 0.125"
- Discharge Apron = 0.102"
- Hood = 0.08"
- Roof Opening = 50" SQ.
- Damper Size = 49 1/2" SQ.
- Max. Motor Frame Size = 215T
- Peak BHP = (RPM/206)<sup>3</sup>
- Max. RPM = 449 (10 HP)
- Est. Ship Weight = 775 lbs.

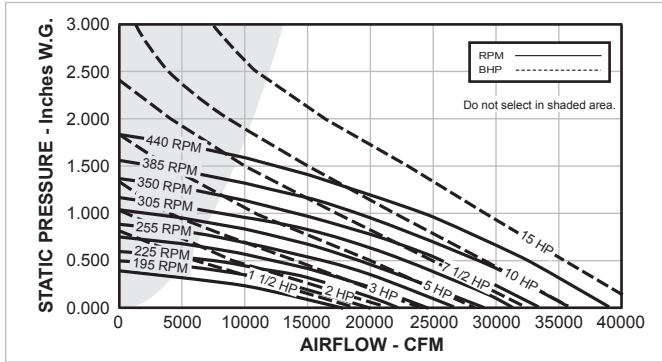


HP	RPM	Tip Speed FPM	0.000" SP		0.125" SP		0.250" SP		0.375" SP		0.500" SP		0.625" SP		0.750" SP		1.000" SP		1.250" SP		1.500" SP	
			Sones	BHP	Sones	BHP	Sones	BHP	Sones	BHP	Sones	BHP	Sones	BHP	Sones	BHP	Sones	BHP	Sones	BHP	Sones	BHP
3/4	160	2105	11842	7937	-	-	-	-	-	-	-	-	-	-	-	-	-	-	-	-	-	-
	175	2302	4.6	0.47	4.4	0.42	-	-	-	-	-	-	-	-	-	-	-	-	-	-	-	-
			12953	9473	-	-	-	-	-	-	-	-	-	-	-	-	-	-	-	-	-	-
1	189	2486	13989	10828	5936	-	-	-	-	-	-	-	-	-	-	-	-	-	-	-	-	-
	195	2565	6.0	0.78	5.7	0.73	5.7	0.55	-	-	-	-	-	-	-	-	-	-	-	-	-	-
			14433	11397	7183	-	-	-	-	-	-	-	-	-	-	-	-	-	-	-	-	-
1 1/2	200	2631	14803	11865	8089	-	-	-	-	-	-	-	-	-	-	-	-	-	-	-	-	-
	205	2697	6.5	0.92	6.2	0.88	6.0	0.75	-	-	-	-	-	-	-	-	-	-	-	-	-	-
			15173	12308	8799	-	-	-	-	-	-	-	-	-	-	-	-	-	-	-	-	-
2	215	2828	15913	13183	9999	-	-	-	-	-	-	-	-	-	-	-	-	-	-	-	-	-
	225	2960	7.2	1.14	6.8	1.10	6.6	0.99	-	-	-	-	-	-	-	-	-	-	-	-	-	-
			16654	14046	11088	5724	-	-	-	-	-	-	-	-	-	-	-	-	-	-	-	-
3	236	3105	17468	14983	12267	8231	-	-	-	-	-	-	-	-	-	-	-	-	-	-	-	-
	245	3223	8.1	1.51	7.7	1.47	7.3	1.37	7.1	1.14	-	-	-	-	-	-	-	-	-	-	-	-
			18134	15742	13155	9914	-	-	-	-	-	-	-	-	-	-	-	-	-	-	-	-
5	255	3355	8.5	1.69	8.0	1.65	7.7	1.56	7.3	1.38	-	-	-	-	-	-	-	-	-	-	-	-
	260	3420	18874	16577	14131	11319	5416	-	-	-	-	-	-	-	-	-	-	-	-	-	-	-
			8.9	1.90	8.4	1.86	8.0	1.78	7.6	1.63	7.6	1.01	-	-	-	-	-	-	-	-	-	-
7 1/2	270	3552	19244	16992	14615	11878	6656	-	-	-	-	-	-	-	-	-	-	-	-	-	-	-
	280	3684	9.1	2.02	8.6	1.98	8.2	1.89	7.8	1.74	7.7	1.24	-	-	-	-	-	-	-	-	-	-
			19984	17817	15572	12978	8983	-	-	-	-	-	-	-	-	-	-	-	-	-	-	-
10	290	3815	20725	18637	16515	14055	11032	4757	-	-	-	-	-	-	-	-	-	-	-	-	-	-
	298	3920	9.9	2.52	9.5	2.48	9.0	2.40	8.5	2.26	8.1	2.04	8.1	1.10	-	-	-	-	-	-	-	-
			21465	19457	17414	15124	12455	7271	-	-	-	-	-	-	-	-	-	-	-	-	-	-
10	315	4144	22057	20091	18116	15911	13468	9191	-	-	-	-	-	-	-	-	-	-	-	-	-	-
	330	4341	11.0	3.04	10.4	3.00	9.9	2.92	9.5	2.79	9.0	2.61	8.9	2.13	-	-	-	-	-	-	-	-
			23315	21458	19589	17568	15336	12614	7315	-	-	-	-	-	-	-	-	-	-	-	-	-
10	345	4539	24425	22655	20871	19007	16935	14702	10848	-	-	-	-	-	-	-	-	-	-	-	-	-
	355	4670	12.6	4.13	12.0	4.09	11.4	4.00	10.9	3.90	10.5	3.73	10.1	3.53	10.0	3.00	-	-	-	-	-	-
			25536	23842	22138	20420	18461	16365	13809	-	-	-	-	-	-	-	-	-	-	-	-	-
10	370	4868	26276	24629	22975	21312	19437	17450	15230	6228	-	-	-	-	-	-	-	-	-	-	-	
	385	5065	13.9	5.14	13.3	5.10	12.6	5.01	12.0	4.91	11.4	4.78	11.2	4.57	11.0	4.32	11.0	2.31	-	-	-	-
			27386	25805	24222	22626	20891	19045	17054	9969	-	-	-	-	-	-	-	-	-	-	-	-
10	395	5196	28496	26976	25458	23923	22322	20569	18696	-	-	-	-	-	-	-	-	-	-	-	-	
	406	5341	14.7	5.82	14.0	5.77	13.3	5.70	12.7	5.59	12.0	5.46	11.7	5.26	11.6	5.04	11.5	3.71	-	-	-	-
			28496	26976	25458	23923	22322	20569	18696	-	-	-	-	-	-	-	-	-	-	-	-	-
10	425	5591	30051	28611	27181	25718	24263	22617	20941	17033	9283	-	-	-	-	-	-	-	-	-	-	
	448	5894	16.3	7.69	15.6	7.64	14.9	7.59	14.3	7.46	13.6	7.34	12.9	7.18	12.8	6.95	12.6	6.39	12.6	4.36	-	-
			31457	30084	28700	27320	25931	24440	22849	19444	13785	-	-	-	-	-	-	-	-	-	-	-
			17.3	8.82	16.5	8.76	15.8	8.71	15.1	8.59	14.4	8.47	13.8	8.32	13.3	8.12	13.2	7.61	13.2	6.37	-	-
			33160	31860	30548	29239	27920	26602	25090	21961	18201	10947	-	-	-	-	-	-	-	-	-	-
			18.5	10.33	17.8	10.27	17.2	10.22	16.7	10.10	16.1	9.98	15.6	9.85	15.1	9.67	14.9	9.17	14.9	8.47	14.9	6.18

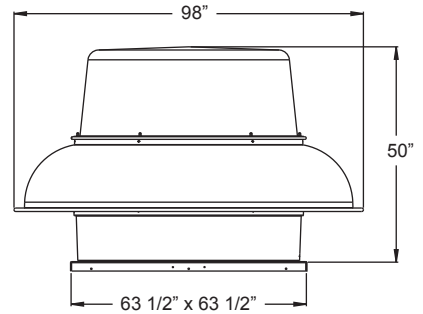
Performance shown is for installation type A: Free Inlet, Free Outlet. Power rating (BHP) does not include transmission losses. For further information on estimating belt drive losses and motor service factors see page 13. The sound ratings shown are for loudness values in fan sones at 5'0" (1.5m) in a hemispherical free field per AMCA Standard 301. Values shown are for installation Type A: free inlet hemispherical sone levels. Performance ratings do not include the effects of appurtenances in the airstream.

©PENNBARRY 2014

MB542 | BELT DRIVE



- Galv. Steel Base = N/A
- Aluminum Base = 0.125
- Discharge Apron = 0.150"
- Hood = 0.125"
- Roof Opening = 55" SQ.
- Damper Size = 54 1/2" SQ.
- Max. Motor Frame Size = 254T
- Peak BHP = (RPM/182)<sup>3</sup>
- Max. RPM = 440 (15 HP)
- Est. Ship Weight = 1500 lbs.



HP	RPM	Tip Speed FPM	0.000" SP		0.125" SP		0.250" SP		0.375" SP		0.500" SP		0.625" SP		0.750" SP		1.000" SP		1.250" SP		1.500" SP					
			Sones	BHP	Sones	BHP	Sones	BHP	Sones	BHP	Sones	BHP	Sones	BHP	Sones	BHP	Sones	BHP	Sones	BHP	Sones	BHP	Sones	BHP		
1 1/2	165	2505	17490	-	12624	-	3878	-	-	-	-	-	-	-	-	-	-	-	-	-	-	-	-			
			6.0	0.77	5.8	0.72	5.4	0.49	-	-	-	-	-	-	-	-	-	-	-	-	-	-	-	-		
	175	2657	18550	-	14026	-	6748	-	-	-	-	-	-	-	-	-	-	-	-	-	-	-	-			
			6.6	0.92	6.3	0.89	5.9	0.68	-	-	-	-	-	-	-	-	-	-	-	-	-	-	-	-		
185	2809	19610	-	15355	-	9323	-	-	-	-	-	-	-	-	-	-	-	-	-	-	-	-	-			
		7.1	1.08	6.8	1.07	6.4	0.87	-	-	-	-	-	-	-	-	-	-	-	-	-	-	-	-			
		20670	-	16635	-	11589	-	-	-	-	-	-	-	-	-	-	-	-	-	-	-	-	-	-		
195	2961	7.6	1.27	7.3	1.26	6.9	1.11	-	-	-	-	-	-	-	-	-	-	-	-	-	-	-	-			
		22790	-	19135	-	15017	-	8447	-	-	-	-	-	-	-	-	-	-	-	-	-	-	-	-		
		8.6	1.70	8.2	1.71	7.8	1.54	7.5	1.23	-	-	-	-	-	-	-	-	-	-	-	-	-	-	-		
		23320	-	19749	-	15820	-	9760	-	-	-	-	-	-	-	-	-	-	-	-	-	-	-	-		
2	220	3341	8.9	1.82	8.5	1.84	8.1	1.67	7.6	1.38	-	-	-	-	-	-	-	-	-	-	-	-	-			
			23849	-	20359	-	16614	-	11025	-	-	-	-	-	-	-	-	-	-	-	-	-	-	-		
			9.1	1.95	8.7	1.97	8.3	1.80	7.8	1.55	-	-	-	-	-	-	-	-	-	-	-	-	-	-		
3	325	3568	24909	-	21569	-	18094	-	13452	-	6014	-	-	-	-	-	-	-	-	-	-	-	-			
			9.6	2.22	9.2	2.25	8.8	2.10	8.2	1.92	8.1	1.44	-	-	-	-	-	-	-	-	-	-	-	-		
			25440	-	22170	-	18810	-	14419	-	7452	-	-	-	-	-	-	-	-	-	-	-	-	-		
			9.8	2.36	9.4	2.40	9.0	2.26	8.5	2.07	8.2	1.60	-	-	-	-	-	-	-	-	-	-	-	-		
			25970	-	22768	-	19496	-	15357	-	8861	-	-	-	-	-	-	-	-	-	-	-	-	-	-	
5	265	4024	10.1	2.51	9.6	2.55	9.2	2.43	8.7	2.23	8.4	1.77	-	-	-	-	-	-	-	-	-	-	-			
			27030	-	23958	-	20852	-	17032	-	11516	-	-	-	-	-	-	-	-	-	-	-	-	-		
			10.6	2.83	10.1	2.89	9.7	2.79	9.2	2.53	8.7	2.17	-	-	-	-	-	-	-	-	-	-	-	-		
			28090	-	25139	-	22150	-	18663	-	14018	-	7387	-	-	-	-	-	-	-	-	-	-	-	-	
			11.3	3.18	10.8	3.25	10.3	3.15	9.8	2.89	9.2	2.63	9.2	2.10	-	-	-	-	-	-	-	-	-	-	-	
7 1/2	320	4859	29150	-	26311	-	23428	-	20259	-	16240	-	10205	-	-	-	-	-	-	-	-	-	-			
			11.8	3.55	11.3	3.63	10.8	3.54	10.3	3.29	9.8	3.10	9.6	2.52	-	-	-	-	-	-	-	-	-	-		
			31270	-	28630	-	25940	-	23184	-	19758	-	15358	-	9427	-	-	-	-	-	-	-	-	-	-	
			13.0	4.39	12.4	4.49	11.8	4.40	11.3	4.21	10.9	3.92	10.4	3.60	10.4	2.98	-	-	-	-	-	-	-	-	-	
10	305	4631	32330	-	29777	-	27177	-	24551	-	21390	-	17681	-	12202	-	-	-	-	-	-	-	-	-		
			13.6	4.85	13.0	4.96	12.3	4.88	11.7	4.72	11.4	4.40	11.1	4.20	10.9	3.53	-	-	-	-	-	-	-	-		
			33920	-	31488	-	29011	-	26541	-	23780	-	20452	-	16042	-	-	-	-	-	-	-	-	-	-	
			14.6	5.60	13.8	5.72	13.1	5.66	12.5	5.54	12.1	5.21	11.8	4.98	11.5	4.51	-	-	-	-	-	-	-	-	-	
			34980	-	32623	-	30222	-	27827	-	25249	-	22120	-	18478	-	7756	-	-	-	-	-	-	-	-	-
15	330	5011	15.2	6.14	14.4	6.26	13.7	6.22	13.0	6.10	12.6	5.80	12.3	5.49	12.0	5.24	11.9	3.92	-	-	-	-	-			
			36040	-	33753	-	31423	-	29099	-	26683	-	23753	-	20505	-	10704	-	-	-	-	-	-	-	-	
			15.7	6.72	15.0	6.85	14.2	6.82	13.5	6.69	13.0	6.43	12.8	6.09	12.6	5.89	12.4	4.55	-	-	-	-	-	-	-	
			37100	-	34879	-	32620	-	30360	-	28052	-	25357	-	22313	-	13496	-	-	-	-	-	-	-	-	-
			16.3	7.33	15.6	7.46	14.8	7.45	14.0	7.33	13.4	7.12	13.3	6.74	13.1	6.51	12.8	5.27	-	-	-	-	-	-	-	
20	365	5542	38690	-	36561	-	34400	-	32230	-	30063	-	27653	-	24807	-	17395	-	-	-	-	-	-	-		
			17.2	8.31	16.4	8.46	15.5	8.47	14.8	8.35	14.0	8.20	13.8	7.80	13.7	7.46	13.4	6.53	-	-	-	-	-	-		
			39750	-	37679	-	35579	-	33464	-	31355	-	29105	-	26431	-	19883	-	10514	-	-	-	-	-	-	
			17.8	9.01	16.9	9.16	16.0	9.20	15.3	9.08	14.5	8.93	14.2	8.58	14.1	8.20	13.8	7.47	13.8	5.95	-	-	-	-	-	
			40810	-	38793	-	36752	-	34669	-	32636	-	30501	-	28031	-	22210	-	13344	-	-	-	-	-	-	-
25	410	6226	18.4	9.75	17.5	9.91	16.6	9.96	15.7	9.84	15.0	9.69	14.5	9.40	14.4	8.99	14.2	8.44	14.1	6.79	-	-	-	-		
			43460	-	41568	-	39661	-	37716	-	35789	-	33860	-	31769	-	26747	-	19931	-	11292	-	-	-	-	
			19.8	11.78	18.9	11.95	17.9	12.06	17.0	11.95	16.1	11.80	15.3	11.63	15.1	11.20	15.1	10.50	15.1	9.34	15.0	7.75	-	-	-	
			44520	-	42674	-	40812	-	38916	-	37034	-	33860	-	31769	-	26747	-	19931	-	11292	-	-	-	-	-
			20.0	12.66	19.4	12.85	18.5	12.96	17.5	12.86	16.6	12.72	15.7	12.55	15.4	12.18	15.4	11.34	15.4	10.53	15.4	8.74	-	-	-	-
30	420	6377	45580	-	43778	-	41959	-	40110	-	38270	-	36431	-	34539	-	30034	-	24745	-	16894	-	-	-		
			21.0	13.58	20.0	13.78	19.2	13.90	18.3	13.82	17.4	13.68	16.5	13.51	15.9	13.22	15.9	12.32	15.9	11.76	15.9	9.84	-	-	-	
			46640	-	44879	-	43102	-	41299	-	39498	-	37701	-	35893	-	31641	-	26675	-	19521	-	-	-	-	-
35	440	6681	22.0	14.55	21.0	14.75	20.0	14.88	19.1	14.82	18.2	14.68	17.3	14.51	16.5	14.31	16.5	13.35	16.5	12.80	16.5	11.05	-	-		
			46640	-	44879	-	43102	-	41299	-	39498	-	37701	-	35893	-	31641	-	26675	-	19521	-	-	-	-	-

Performance shown is for installation type A: Free Inlet, Free Outlet. Power rating (BHP) does not include transmission losses. For further information on estimating belt drive losses and motor service factors see page 13. The sound ratings shown are for loudness values in fan sones at 5'0" (1.5m) in a hemispherical free field per AMCA Standard 301. Values shown are for installation Type A: free inlet hemispherical sone levels. Performance ratings do not include the effects of appurtenances in the airstream.

**ENGINEERING SPECIFICATIONS**

**Model**

DX = Downblast Roof Exhauster  
 KB = Downblast Roof Exhauster  
 JB = Downblast Roof Exhauster  
 MB = Downblast Roof Exhauster

**Unit Size**

06, 08, 10, 11, 12, 14, 16, 18,  
 24, 27, 30, 36, 420, 48, 542

**Drive Type**

D = Direct Drive  
 B = Belt Drive

**Motor Tap**

Q = 1725 RPM  
 R = 1550 RPM  
 S = 1300 RPM  
 V = 1050 RPM  
 Q1 = 1650 RPM  
 Q2 = 1725 RPM

**Motor Speed**

1 = Single Speed  
 2 = 2S2W Single & Three Phase  
 3 = 2S1W Three Phase

**Horse Power**

1/100	1/50	1/30	1/25	1/20
1/12	1/11	1/7	1/6	1/5
1/4	1/3	1/2	3/4	1
1 1/2	2	3	5	7 1/2
10	15			

**Enclosure**

O = Open Drip Proof  
 T = Totally Enclosed  
 E = Explosion Proof  
 X = Special

**Voltage**

A = 110V	G = 230V	N = 440V
B = 115V	H = 240V	P = 460V
C = 120V	J = 277V	Q = 480V
D = 200V	K = 380V	R = 575V
E = 208V	L = 400V	S = 600V
F = 220V	M = 415V	X = Special

**Phase**

1 = Single  
 3 = Three

**Cycle**

5 = 50 Hz  
 6 = 60 Hz

**Efficiency**

S = Standard  
 H = High Efficiency

**Paint / Coating**

0 = None  
 F = Epoxy Powder Coat\*  
 G = Epoxy Powder Coat with UV\*  
 H = Hi-Temp Powder Coat\*  
 J = Non-stick Powder Coat\*  
 K = Phenolic Powder Coat\*  
 L = Phenolic Powder Coat with UV\*  
 N = Polyester Powder Coat  
 X = Special  
 \* Not available with choice of color.

**Color**

0 = None  
 50 = Chrome Green  
 53 = Williamsburg Blue  
 55 = Pale Green  
 56 = Dove Gray  
 61 = White  
 63 = Oxford Beige  
 65 = Dover White  
 66 = Desert Tan  
 70 = Black  
 73 = Smoke Gray  
 77 = Brick Red  
 79 = Peppercorn  
 81 = Pale Brown  
 83 = Chocolate Brown  
 85 = Timeless Bronze  
 94 = Charcoal  
 X = Special

**AMCA Spark Rating**

0 = None  
 C = Standard  
 B = Optional

**Damper**

0 = None  
 BDD = Gravity Backdraft Damper  
 MD1 = Gravity Backdraft Damper 115V  
 MD2 = Gravity Backdraft Damper 230V  
 MD4 = Gravity Backdraft Damper 460V  
 ED1 = Explosion Proof Motor  
 Operated Damper 115V

**Screen**

0 = None  
 B = Bird Screen (Standard)  
 S = Insect/Bird Screen

**Roof Curb**

0 = None	K = UCA18	V = UG18
A = UCG8	L = UG12	W = URA12
B = UCG12	M = SA16	Y = URA18
C = UCG18	N = SFG12	1 = URG12
D = UCA8	P = SFG18	10 = SFA8
E = UCA12	Q = SG16	11 = USCG
F = SFA12	R = SRA16	12 = USCA
G = SFA18	S = SRG16	2 = URG18
H = SCG16	T = UA12	4 = UVA18
J = SCA16	U = UA18	5 = UVG18

**Slope**

0 = None  
 S = Single  
 D = Double

**Metal Liner**

0 = None  
 L = Metal Liner

**Damper Holding Plate**

0 = None  
 P = Damper Holding Plate

**Neoprene Gasket**

0 = None  
 G = Gasket

**No Wooden Nailer**

0 = None  
 N = No Wooden Nailer

**Curb Paint/Coating**

0 = None  
 B = Air Dried Epoxy  
 Q = Enamel

**Hinged Sub-base**

0 = None  
 H = Hinged Sub-base

**Mounting Pedestal**

0 = None  
 P = Mounting Pedestal

**Aluminum Base**

0 = None  
 A = Aluminum Base

**Thermal Overload Protection**

0 = None  
 P = Thermal Overload Protection

Continued, next page.

## ENGINEERING SPECIFICATIONS

### Disconnect Switch

- 0 = None
- 1 = NEMA 1 Disconnect Switch
- 3R = NEMA 3R Disconnect Switch
- 4 = NEMA 4 Disconnect Switch
- 7 = NEMA 7 Disconnect Switch
- 9 = NEMA 9 Disconnect Switch

### Internal Wiring

- 0 = None
- 1 = NEMA 1 Internal Wiring
- 3R = NEMA 3R Internal Wiring

### Transformer

- 0 = None
- T = Transformer

### Speed Controller

- 0 = None
- L = Loose
- M = Mounted

### Firestat Switch

- 0 = None
- F = Firestat Switch

### Wall Mount

- 0 = None
- W = Wall Mount

### High Pressure Wheel

- 0 = None
- H = High Pressure Wheel

### High Wind Construction

- 0 = None
- M = Miami Dade Approved

### Domex - Belt Drive Units

Belt driven centrifugal roof exhaust fan shall be Domex DX, KB, JB, MB, manufactured by PennBarry, Plano, TX 75074.

The housing shall be weatherproof, utilize heavy gauge spun aluminum construction with a large rolled bead for strength, with galvanized (aluminum optional) base, and with rigid galvanized steel internal support structures. Housing shall not provide any of the internal structural support. Units shall be equipped with an oversized electrical conduit chase through the curb cap and into the motor compartment for ease of wiring (except Explosion Proof). Units shall be pre-wired to a junction box mounted in the motor compartment & equipped with an electrical disconnect device (except Explosion Proof).

Statically and dynamically balanced backward inclined, centrifugal wheels shall be aluminum, spark-resistant, non-overloading, and matched to deeply spun venturis. Motors shall be continuous duty, ball bearing design, permanently lubricated, mounted out of the main airstream, and furnished at the specified voltage, phase, and enclosure.

Shafts shall be turned, ground, polished, and rust protected. Heavy duty ball bearings are rated for a minimum L50 life exceeding 200,000 hours. Pulleys shall be adjustable, cast iron, machined, keyed, securely attached, and sized for 150% of the horsepower at its rated maximum speed.

Each fan shall bear the AMCA Licensed Ratings Seal for Air and Sound Performance (DX) or for Air performance (KB, JB, MB), and shall be UL and CSA listed.

### Domex - Direct Drive Units

Direct drive centrifugal roof exhaust fan shall be Domex DX, manufactured by PennBarry, Plano, TX 75074.

The housing shall be weatherproof, utilize heavy-gauge spun aluminum construction with a large rolled bead for strength, with galvanized (aluminum optional) base, and with rigid galvanized steel internal support structures. Housing shall not provide any of the internal structural support. Units shall be equipped with an oversized electrical conduit chase through the curb cap and into the motor compartment for ease of wiring (except Explosion Proof). Units shall be pre-wired to a junction box mounted in the motor compartment & equipped with an electrical disconnect device (except Explosion Proof).

Statically and dynamically balanced backward inclined, centrifugal wheels shall be aluminum, spark-resistant, non-overloading, and matched to deeply spun venturis. Motors shall be continuous duty, permanently lubricated, multi-speed (for applicable models), have thermal overload protection, mounted out of the main airstream, be easily accessible for service, and furnished at the specified voltage, phase.

Each fan shall bear the AMCA Licensed Ratings Seal for Air and Sound Performance, and shall be UL and CSA listed.









## PennBarry Product Solutions

### COMMERCIAL

Roof & Wall Exhaust Centrifugal Fans  
Ceiling, Wall, & Inline Centrifugal Fans  
Roof Supply Centrifugal Fans  
Square & Round Centrifugal Fans  
Wall Mounted Axial Fans  
Hooded Roof Axial Fans  
Upblast Roof Axial Fans  
Gravity Ventilators  
Roof Curbs

### INDUSTRIAL

Utility Vent Sets  
Freestanding Centrifugal Fans  
Industrial & Material Handling Fans  
Tubular Centrifugal Inline Fans  
Mixed Flow Centrifugal Fans  
Plug & Plenum Fans  
Wall Mounted Propeller Fans  
Tube Axial Fans  
Vane Axial Fans  
Bifurcator Fans  
Fume Exhaust

### ENERGY RECOVERY

Outdoor Units  
Indoor Units

### KITCHEN VENTILATION

Kitchen Hoods  
Make-Up Air Units  
Exhaust Fans



**PENNBARRY™**

*Moving Your Way*

PennBarry is proud to be your preferred manufacturer of commercial and industrial fans and blowers. Learn how PennBarry products can assist you in your next application by contacting your PennBarry Representative or visiting us on the web at [www.pennbarry.com](http://www.pennbarry.com).

PennBarry | [www.pennbarry.com](http://www.pennbarry.com) | [pennbarrysales@pennbarry.com](mailto:pennbarrysales@pennbarry.com) | tel: 972.212.4700 | fax: 972.212.4702

*PennBarry reserves the right to make changes at any time, without notice, to models, construction, specifications, options, availability, etc. This bulletin illustrates the appearance of PennBarry products at the time of publication. View the latest updates on the PennBarry website.*