

Ex-Proof LED Signal beacon dSD



II 2 G Ex d e IIC T6 Gb
 II 2 D Ex tb IIIC T80°C Db
 -55°C ≤ Ta ≤ +55°C
 Zone 1, 2, 21, 22

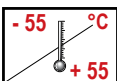
Features

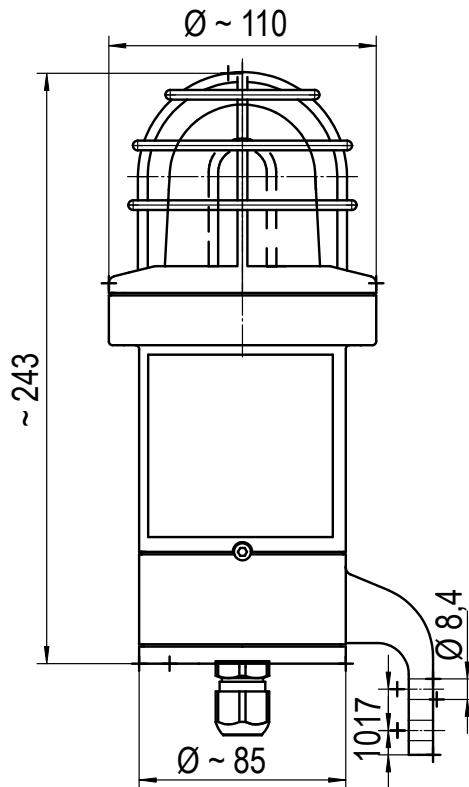
- ▶ Robust visual signal beacon with LED technology
- ▶ High signalling effect and long life time
- ▶ For versatile use in zones 1, 21, 2, 22
- ▶ 4 different operating modes selectable:
 - LED steady light
 - LED flashing light
 - LED strobe light
 - LED rotating light
- ▶ Sturdy aluminium housing
- ▶ Hardened glass lens (borosilicate glass)
- ▶ Protection case made of stainless steel
- ▶ Compact dimensions
- ▶ Terminal connection chamber "d" in protection class increased safety „e“
- ▶ For continuous operation
- ▶ Available in 5 LED colours



Technical data

Type	dSD
Housing, colour	aluminium, surface painted or powder coated (yellow/blue)
Lens	hardened borosilicate glass
Terminal	2,5 mm ² single wire; 1,5 mm ² fine wire
Cable entry	cable gland M20 x 1,5 blind plug M20 x 1,5
Mounting	mounting bracket
Operation	continuous for all operating modes
Operating modes/ Flashing-/Strobe frequency/ Rotations	LED steady light
	LED flashing light - 2 Hz
	LED strobe light - 7 times on (55 ms) and off (19 ms), pause 1 s
	LED rotating light ~44 rpm - 1 segment on ~33 rpm - 2 segments on
Insulation class	I - at 85-265 V AC III - at 24 V DC equipotential bonding: screw type with wire protection, external clamping capacity max. 4 mm ²
Operating position	any
Operating conditions	in- and outdoor
Weight	~ 2 kg
Approval	PTB 03 ATEX 1230





Order data

Type	Order No.	Denomination	Nominal voltage (V)	Voltage range (V)	Nominal current (A)					
					Operating mode	red	yellow	green	blue	clear
dSD1	335 21C 313	Ex-proof LED signal beacon with protection cage	110-240 V AC	85-265 V AC	Steady light	0,125	0,125	0,160	0,170	0,170
					Flashing light	0,125	0,125	0,160	0,170	0,170
					Strobe light	1,800	1,800	1,210	1,230	1,230
					Rotating light 1	0,060	0,060	0,065	0,070	0,070
					Rotating light 2	0,070	0,070	0,080	0,085	0,085
dSD2	335 21C 005	Ex-proof LED signal beacon with protection cage	24 V DC	+/- 20 %	Steady light	0,550	0,570	0,800	0,850	0,870
					Flashing light	0,550	0,570	0,800	0,850	0,870
					Strobe light	1,200	1,200	1,500	1,500	1,600
					Rotating light 1	0,190	0,190	0,250	0,250	0,280
					Rotating light 2	0,250	0,250	0,350	0,350	0,380
	335 21C 008*	Ex-proof LED signal beacon with protection cage	48 V DC	43-53 V DC	Steady light	0,225	0,235	---	---	---
					Flashing light	0,225	0,235	---	---	---
					Strobe light	0,650	0,650	---	---	---
					Rotating light1	0,115	0,115	---	---	---
					Rotating light2	0,140	0,140	---	---	---

* only available in red and yellow

Colour code for LED

Colour code for LED		C	
2	red	6	green
4	clear	7	yellow
5	blue		